



### Description & Features:

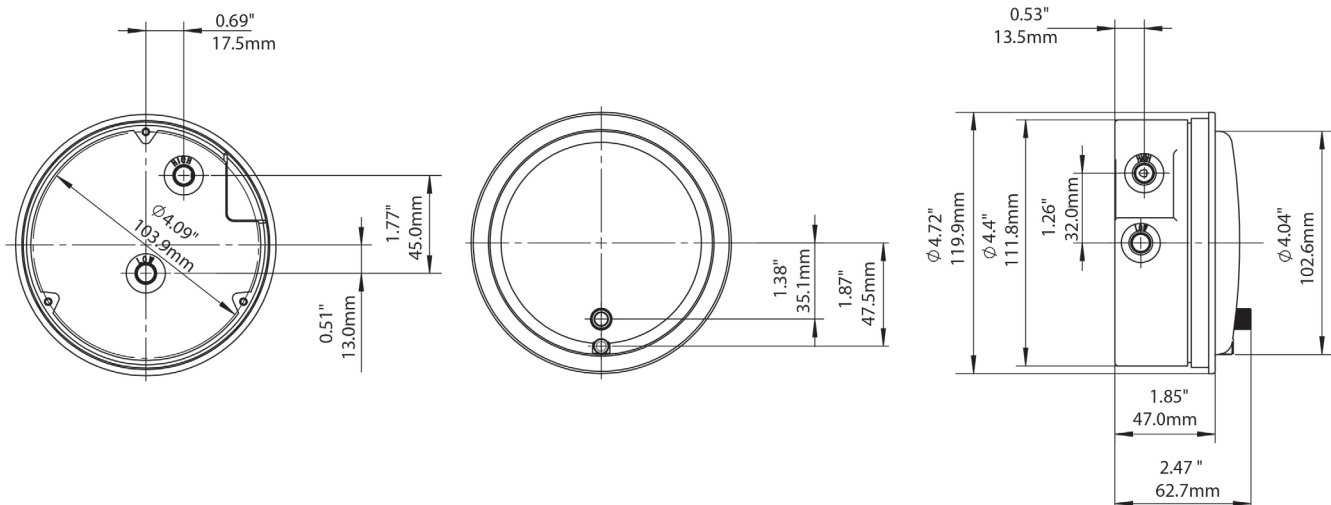
- Resistance-free differential gauge for all air and non-corrosive gas installations
- Industrial grade die-cast aluminum case
- Extreme temperature tolerance with o-ring seal
- Easily accessible re-zero adjustment screw
- 2% full scale accuracy\*
- 3 mounting adapters with screws included, other mounting accessories also available
- 5 year warranty

### Applications:

- Low pressure and differential monitoring for air and non-combustible gases including filters, blowers, vacuums, air handlers and clean rooms

### Specifications

<b>Dial</b>	4" (100mm), white aluminum with black and red markings
<b>Case</b>	Die-cast black aluminum
<b>Lens</b>	Polycarbonate
<b>Ring</b>	Threaded die-cast black aluminum
<b>Connection</b>	1/8" NPTF high & low pressure taps, side & back
<b>Movement</b>	Resistance-free and magnetic
<b>Pointer</b>	Aluminum, anodized black
<b>Over-pressure Limit</b>	Maximum pressure of 14.5 psi / 100 kPa
<b>Ambient/Process Temperature</b>	-40°F to 140°F (-40°C to 60°C) 14°F to 140°F (-10°C to 60°C)
<b>Accuracy</b>	±2% of full scale value*
<b>Enclosure Rating</b>	IP54



Note: PFD to only be mounted in a vertical position.

\* Unless otherwise noted.

**“H2O Order Codes  
(products in bold are normally stock in North America)**

Dial Size	4" (100mm)
Connection	1/8" Side & Back
Case Material	Aluminum
-0.25/0/0.25 "H2O	<b>PFD40100-</b>
-0.5/0/0.5 "H2O	<b>PFD40101</b>
-1/0/1 "H2O	<b>PFD40102</b>
-2/0/2 "H2O	PFD40103
-5/0/5 "H2O	PFD40104
-10/0/10 "H2O	<b>PFD40105</b>
-15/0/15 "H2O	<b>PFD40106</b>
0/0.25 "H2O	<b>PFD40010▲</b>
0/0.5 "H2O	PFD40011■
0/1 "H2O	<b>PFD40012</b>
0/2 "H2O	<b>PFD40013</b>
0/3 "H2O	<b>PFD40014</b>
0/4 "H2O	PFD40015
0/5 "H2O	<b>PFD40016</b>
0/6 "H2O	PFD40017
0/8 "H2O	PFD40018
0/10 "H2O	<b>PFD40019</b>
0/12 "H2O	PFD40020
0/15 "H2O	<b>PFD40021</b>
0/20 "H2O	<b>PFD40022</b>
0/25 "H2O	<b>PFD40023</b>
0/30 "H2O	<b>PFD40024</b>
0/40 "H2O	<b>PFD40025</b>
0/50 "H2O	<b>PFD40026</b>
0/60 "H2O	PFD40027
0/80 "H2O	PFD40028
0/100 "H2O	<b>PFD40029</b>
0/120 "H2O	PFD40030
0/150 "H2O	<b>PFD40031</b>

Note: Max. pressure rating is 14.5 psi

**mmH2O Order Codes**

Dial Size	4" (100mm)
Connection	1/8" Side & Back
Case Material	Aluminum
-3/0/3 mmH2O	PFD40350▲
-5/0/5 mmH2O	PFD40351■
-10/0/10 mmH2O	PFD40352
0/6 mmH2O	PFD40300▲
0/10 mmH2O	PFD40301■
0/15 mmH2O	PFD40302
0/20 mmH2O	PFD40303
0/25 mmH2O	PFD40304
0/30 mmH2O	PFD40305
0/50 mmH2O	PFD40306
0/80 mmH2O	PFD40307
0/100 mmH2O	PFD40308
0/125 mmH2O	PFD40309
0/150 mmH2O	PFD40310
0/200 mmH2O	PFD40311
0/250 mmH2O	PFD40312
0/300 mmH2O	PFD40313



RSP - Setpoint indicator

**PSI Order Codes  
(products in bold are normally stock in North America)**

Dial Size	4" (100mm)
Connection	1/8" Side & Back
Case Material	Aluminum
0/1 psi	<b>PFD40150</b>
0/2 psi	<b>PFD40151</b>
0/3 psi	PFD40152
0/4 psi	PFD40153
0/5 psi	<b>PFD40154</b>

**PA Order Codes  
(products in bold are normally stock in North America)**

Dial Size	4" (100mm)
Connection	1/8" Side & Back
Case Material	Aluminum
-50/0/50 PA	PFD40200▲
-60/0/60 PA	PFD40201▲
-100/0/100 PA	PFD40202■
-125/0/125 PA	PFD40403■
-150/0/150 PA	PFD40404
-200/0/200 PA	PFD40405
-250/0/250 PA	PFD40406
-300/0/300 PA	PFD40407
-500/0/500 PA	PFD40408
0/50 PA	<b>PFD40210</b>
0/60 PA	PFD40211
0/100 PA	<b>PFD40212</b>
0/125 PA	PFD40213
0/150 PA	PFD40214
0/200 PA	PFD40215
0/250 PA	<b>PFD40216</b>
0/300 PA	PFD40217
0/500 PA	PFD40218
0/750 PA	PFD40219
0/1,000 PA	PFD40220

Other ranges and connection sizes available upon request. For scale change, refer to How to Order Guide for scale codes.

**For options, attach suffix to end of order code: i.e. PFD40031-RSP for SETPOINT INDICATOR. Contact Winters for additional options**

**Option suffix:**

RSP = Setpoint indicator

- ±3% of full scale value accuracy
- ▲ ±4% of full scale value accuracy