

Specific & Performance

- Stainless steel sensor
- Sensor and socket are one piece, it could withstand high pressure and vibration
- Maximum range: 1000bar
- No O-ring; no oil; no leakage
- Customization are available

Application

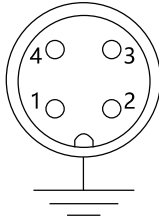
- OEM Customer
- Hydraulic system
- Mechanical machine
- Compressor



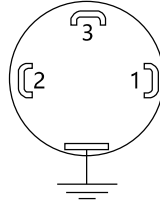
Specification

Accuracy(25°C)	0.5FSO / 0.25%FS per BFSL			
Output signal	4-20mA 2wires	0-10V 3wires	0-5V 3wires	0.5-4.5V 3wires
Supply voltage	12-30VDC, 24VDC remmended			5VDC
Temperature	Compensation range	Medium	Enviroment	Storage
	-20...85°C	-40...125°C	-40...85°C	-40...125°C
Thremo drift	Zero Point		Full Scale	
	0.02%FS/°C		0.02%FS/°C	
Electric connection	Packard , 1m wire, M12*1 4 pins, Hirschmann DIN43650			
IP protection	IP 67 or IP65(Hirschmann connection)			
Process connection	G1/4", G1/2", M20*1.5, 1/2"NPT, 1/4"NPT			
Vibration resistance	20g, 20Hz...5kHz			
Shock resistance	100g, 11ms			
Wetted parts	17-4PH stainless steel			
Service life	10 million load cycles			
Reversed polarity protection	Yes			
Overvoltage Protection	30V			
Load in Ω	Current Output: $RL \leq (U_s - 12) / 20k\Omega$		Voltage Output: $RL > 10 k\Omega$	
Insulation resistance	100MΩ at 500VDC			
Response time (10%...90%)	1ms			
Pressure resistance	Max working pressure: 200% F.S.; Burst pressure: 500% F.S.; (customizable)			

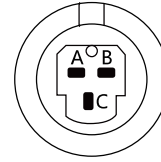
Electrical Connection



M12*1



DIN 43650



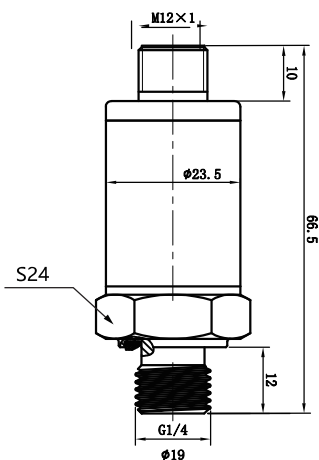
Packard

Terminal	2-wire	3-wire
1	Power "+"	Power "+"
2	Signal	Signal
3		
4		Power "-"

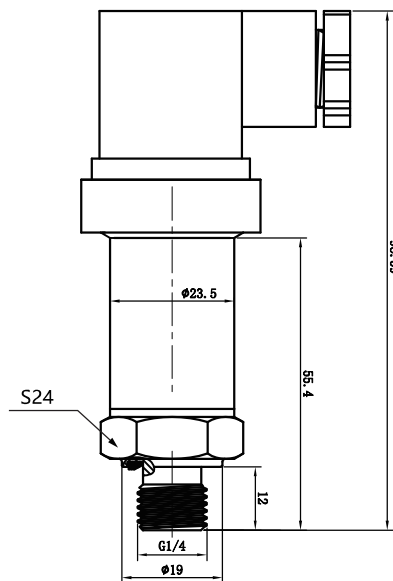
Terminal	2-wire	3-wire
1	Power "+"	Power "+"
2	Signal	Signal
3		Power "-"

Terminal	3-wire
A	Power "-"
B	Power "+"
C	Signal

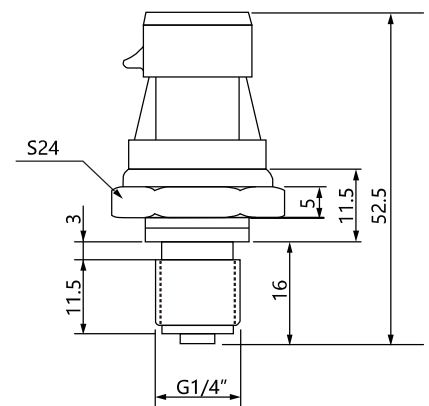
Dimension (Unit:mm)



M12*1(4 pin)

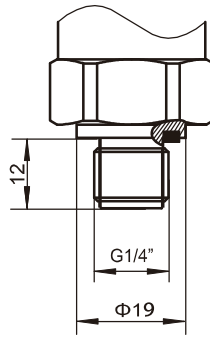


DIN43650

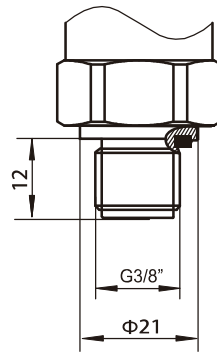


Compact Type (Only 0.5-4.5V Output)

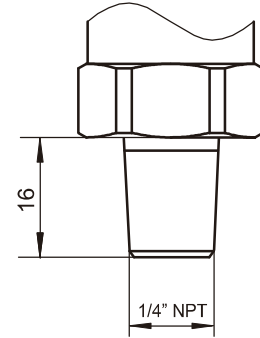
Process Connection (mm)



G1/4" DIN3852



G3/8" DIN3852



1/4" NPT

LVC ordering code

Code		Specification
1.	LVC	Series
		LVC
2.		Output Signal
	1	4-20mA
	3	0-10VDC
	5	0-5VDC
	6	0.5-4.5VDC
	7	0.5-4.5VDC ratio
3.		Type
	1	Standard
	0	Compact type (only for 0.5-4.5 VDC)
4.		Electric Connection
	2	Packard (only for compact type)
	3	M12X4 pins
	4	DIN43650
	6	1m wire
	8	SUMITOMO HV040
5.		Process Connection
	4G	G1/4" DIN 3852
	4N	1/4" NPT
	3B	G3/8" DIN3852
	4J	G1/4" JIS B2351
6.		Pressure Range
	G1010	0-10bar
	G1016	0-16bar
	G1025	0-25bar
	G1050	0-50bar
	G1100	0-100bar
	G1250	0-250bar
	G1500	0-500bar
	G1700	0-700bar
	GX000	0-1000bar
	GP05K	0-5000psi