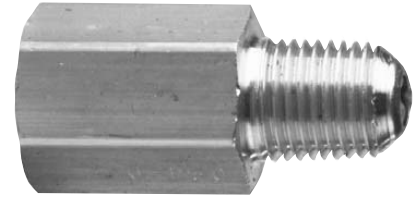


## Description & Features

Winters Snubbers significantly lessen the damaging effects of pulsation on gauges, transducers, transmitters, manometers and pressure switches. Winters Snubbers incorporate a sintered porous 316 stainless steel snubbing element with a large surface area to ensure long term effectiveness on most pressure media.

Winters Snubbers are available in the three standard viscosity classifications of heavy oil, water and air. Brass or stainless steel housings can be specified depending upon pressure media and operating pressure.



## Specifications

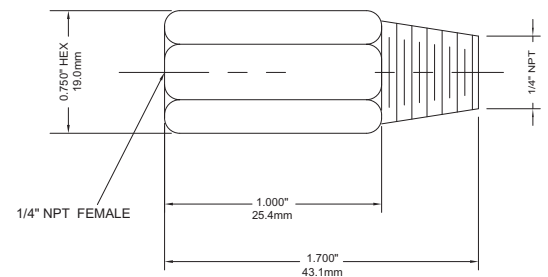
### Stainless Steel

<b>Operating Temperature</b>	-320 F to 1500 F (-195 C to 815 C)
<b>Operating Pressure</b>	Maximum 20000 psi (138000 kPa)
<b>Burst Pressure</b>	60000 psi (413700 kPa)
<b>Housing</b>	300 series stainless steel
<b>Snubbing Element</b>	Sintered, porous type 316 stainless steel
<b>Retainer</b>	300 series stainless steel

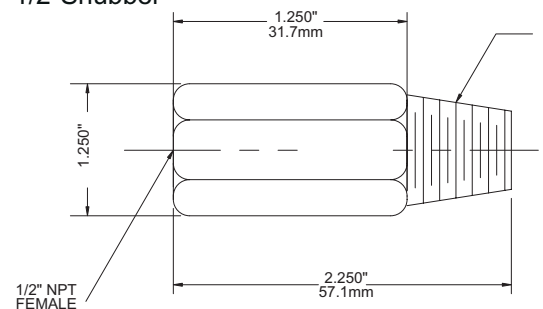
### Brass

<b>Operating Temperature</b>	-65 F to 650 F (-53 C to 343 C)
<b>Operating Pressure</b>	Maximum 10,000 psi (68,950 kPa)
<b>Burst Pressure</b>	30000 psi (206,850 kPa)
<b>Housing</b>	Brass
<b>Snubbing Element</b>	Sintered, porous type 316 stainless steel
<b>Retainer</b>	300 series stainless steel

1/4" Snubber



1/2" Snubber



## Ordering Code

SSN - [ ] - [ ] - [ ] - [ ]

### Connection Size

1/4" .....	4
3/8" .....	3
1/2" .....	2

### Connection Thread

NPT .....	N
BSP .....	B
BSPT .....	T

### Material

Brass .....	B
Stainless Steel .....	S

### Media

Air .....	A
Water .....	W
Heavy Oil .....	O