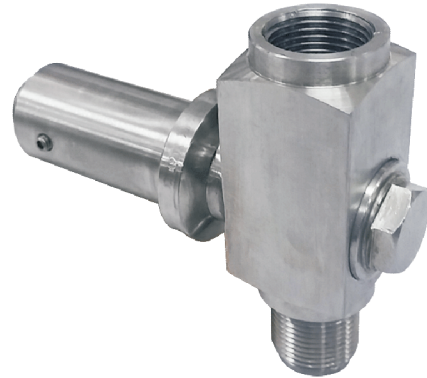


Description & Features

- Setpoint adjustments are made by manipulating an external adjusting screw and lock nut
- Automatically shuts off pressure to the instrument once the adjustable preset pressure is exceeded

Applications

- Utilized to protect pressure instruments against surges and pulsations



Specifications

Diaphragm Type

Body Material

304 stainless steel or 316 stainless steel

Packing Material

VITON

Material of Spring

Stainless steel

Adjustable Burst Pressure

2.9...14.5 psi to 87...145 psi

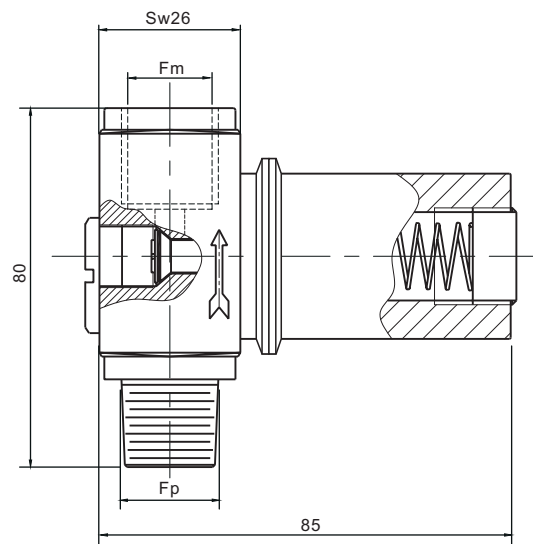
Connection

1/4", 1/2" NPT, G1/2" or M20X1.5

Working Temperature

-20...80°C

Specifications



Ordering Code SOP Series

Field No.	Code	Specifications
1.	SOP	Series
2.	T	304 stainless steel
	S	316 stainless steel
3.	4N	1/4" NPT
	2N	1/2" NPT
	G2	G1/2"
	ZM	M20X1.5
4.	1	2.9 to 14.5 psi
	2	14.5 to 36 psi
	3	36 to 58 psi
	4	58 to 87 psi
	5	87 to 145 psi
	Z	Special request

Description & Features

- Setpoint adjustments are made by manipulating an external adjusting screw and lock nut
- Automatically shuts off pressure to the instrument once the adjustable preset pressure is exceeded

Applications

- Utilized to protect pressure instruments against surges and pulsations



Specifications

Piston Type

Body Material

304 stainless steel or 316 stainless steel

Packing Material

VITON

Material of Spring

Stainless steel

Adjustable Burst Pressure

145...232 psi to 3625...5800 psi

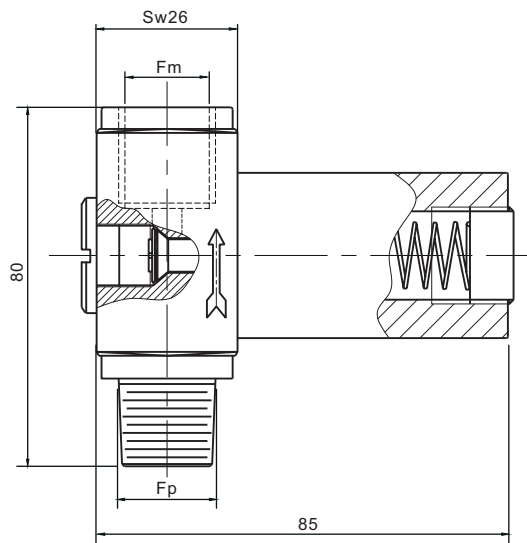
Connection

1/4", 1/2" NPT, G1/2" or M20X1.5

Working Temperature

-20...80°C

Specifications



Ordering Code SOP Series

Field No.	Code	Specifications
1.	SOP	Series
2.	T	304 stainless steel
	S	316 stainless steel
3.	Process Connection Size and Instruments Connection Size	
	4N	1/4" NPT
	2N	1/2" NPT
	G2	G1/2"
4.	ZM	M20X1.5
	Adjustable Pressure Range	
	1	145 to 232 psi
	2	232 to 580 psi
	3	580 to 1450 psi
	4	1450 to 2320 psi
	5	2320 to 3625 psi
6	3625 to 2800 psi	
	Z	Special request