

## Description & Features

- An all-purpose, economical thermometer with a vertical sensing tube and case
- Separable thermowell
- Impact resistant polypropylene case
- Liquid-in glass
- Dual scale (°F/°C)
- Back or bottom connected
- 1/2" NPT process connection

## Applications

- Hot Water Lines, Boilers, Heating, Ventilation and Air Conditioning

## Specifications

### Scale

Aluminum, painted white with black marking

### Case

5" (125mm) black ABS

### Lens Material

Glass

### Tube

Glass, cushioned

### Liquid Filling

Red, Blue, Green organic liquid filled triangle glass tube

### Stem Material

Brass standard, 304 stainless steel

### Swivel Nut

Brass

### Thermowell

Brass 1/2" NPT ,standard, (Stainless steel option)

### Protection

IP 50

### Operating pressure

Maximum 710 psi (50kg/cm<sup>2</sup>)

### Ambient Temperature

-40°F to 122°F (-40°C to 50°C)

### Process Temperature

-40°F to 400°F (-40°C to 200°C)

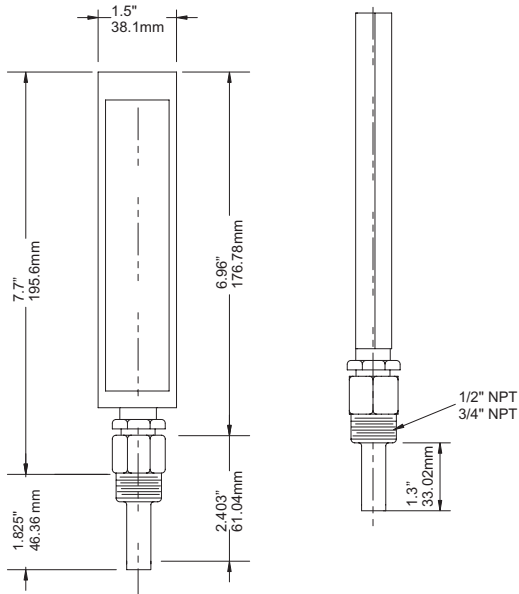
### Accuracy

±2.0% of full scale

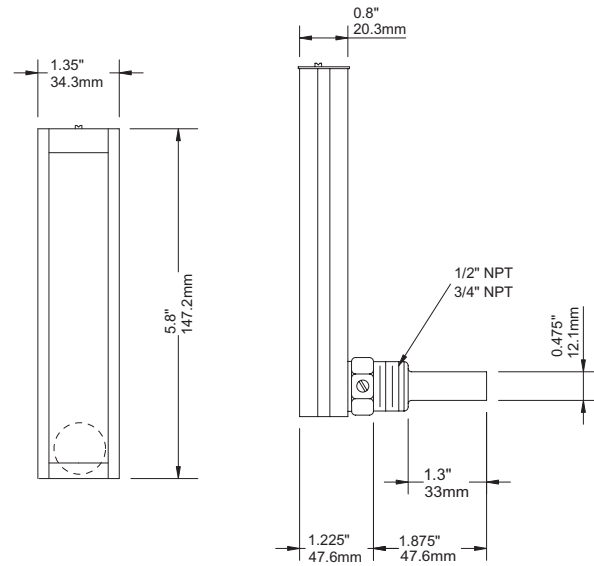


## Dimensions

Straight



Angled



### Ordering Code TAS Series

Field No.	Code	Specifications
1.	TAS	Series
		<b>Configuration</b>
2.	H	Angle
	A	Bottom
		<b>Stem Length</b>
3.	0020	2"
	0030	3"
	0040	4"
	ZZZZ	Other (in inches X10)
		<b>Stem Material</b>
4.	B	Brass, standard
	T	304 stainless steel
		<b>Process Connection Size</b>
5.	2	1/2"
	5	3/4"
	Z	Special request
		<b>Process Connection Thread</b>
6.	N	NPT
	B	BSP
	Z	Special request
		<b>Range F &amp; C (Dual)</b>
7.	B01	-40/110 °F (-40/40 °C)
	B02	20/180 °F (-5/80 °C)
	B03	30/240 °F (0/115 °C)
	B04	30/300 °F (0/150 °C)
	B05	50/400 °F (10/200 °C)