

## Description & Features

- Full covering flanged diaphragm seal - exotic materials
- Flange with a flush welded diaphragm
- Available for all common standards and nominal diameters

## Applications

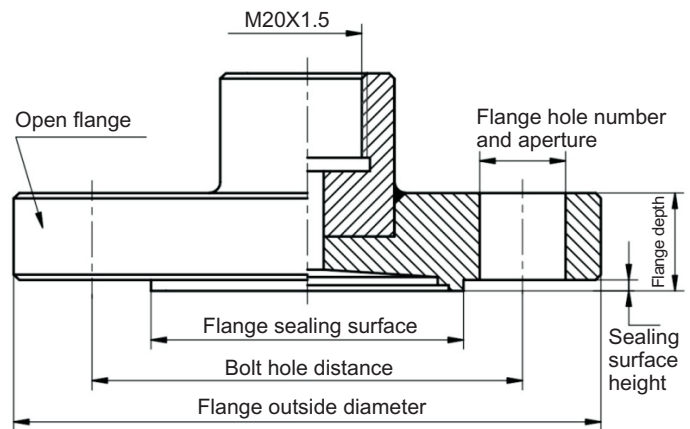
- Chemical process industry
- Petrochemical industry
- For aggressive, highly viscous, crystallising



## Specifications

- **Mounting**  
Direct or remote
- **Diaphragm Material**  
AISI 316L stainless steel, welded, standard  
Option: - AISI 316L stainless steel with PTFE coated  
- Tantalum  
- Hastelloy C  
- Monel  
- Other exotic material
- **Flange Material**  
AISI 316 stainless steel, standard  
Option: - AISI 304 stainless steel  
- AISI 316L stainless steel  
- AISI 316 stainless steel with PTFE coated  
- AISI 316L stainless steel with PTFE coated  
- Other exotic material
- **Pressure range**  
Depending on diaphragm size and process conditions
- **Minimum operating pressure range**  
-1...0 bar
- **Maximum operating pressure range**  
0...160 bar
- **Process connection**  
Flange as per EN 1092-1 or ASME B 16.5,  
also others standard versions are available on request
- **Filled Fluid**  
Silicone Filled (Limited temperature range: -40/160°C)  
High temperature oil (High limited temperature range: -30/230°C)  
Food compatible fluid (Limited temperature range: -20/160°C)  
Fluorolube Filled (Limited temperature range: -50/150°C)

## Dimensions



### Ordering Code D39 Series

Field No.	Code	Specifications
1.	D39	<b>Series</b>
2.	A	<b>Process Connection Standard</b> ASME B 16.5
	E	EN 1092-1
	C	Class series: HG/T 20615~20635 2009
	P	PN series: HG/T 20592~20614 2009
3.		<b>Process Connection Flange Size</b>
		<b>ASME B 16.5</b> <b>HG/T 20615 - 2009</b>
		<b>NPS</b>
	15	1.5" (The minimum process connection pressure rating 300#, the maximum process connection pressure rating 600#)
	20	2"
	25	2.5"
	ZZ	Special request
		<b>EN 1092-1</b> <b>HG/T 20592 - 2009</b>
		<b>DN (Unit: mm)</b>
	E	DN 40 (The minimum process connection pressure rating PN40, the maximum process connection pressure rating PN100)
	F	DN 50
	Z	Special request
4.		<b>Process Connection Pressure Rating</b>
		<b>ASME B 16.5</b> <b>HG/T 20615 - 2009</b>
		<b>Class</b>
	5	150
	3	300
	6	600
	9	900
	1	1500
		<b>EN 1092-1</b> <b>HG/T 20592 - 2009</b>
		<b>PN (Unit: bar)</b>
	P	PN 16 bar
	K	PN 25 bar
	S	PN 40 bar
	V	PN 63 bar
	B	PN 100 bar
	C	PN 160 bar
	Z	Special request
5.		<b>Sealing Face</b>
	R	RF
	F	FF (Class 150 only)
	J	RTJ (Class 300~2500 only)
	T	RJ (Class 300~2500 only)
	Z	Special request

Continued on the following page

Continued from the previous page

### Ordering Code D39 Series

Field No.	Code	Specifications
6.		<b>Diaphragm Materials</b>
	L	AISI 316L stainless steel
	P	AISI 316L stainless steel with PTFE coated (-1 bar to 40 bar with PTFE coating -20°C to 150°C with PTFE coating)
	H	Hastelloy C
	A	Tantalum
	M	Monel
	Z	Special request
7.		<b>Wetted Parts Material (Excluded Diaphragm Material)</b>
	T	AISI 304 stainless steel
	S	AISI 316 stainless steel
	L	AISI 316L stainless steel
	P	AISI 316 stainless steel with PTFE coated (-1 bar to 40 bar with PTFE coating -20°C to 150°C with PTFE coating)
	LP	AISI 316L stainless steel with PTFE coated (-1 bar to 40 bar with PTFE coating -20°C to 150°C with PTFE coating)
	Z	Special request
8.		<b>Assembly</b>
	D	Direct assembly
	1	1m 304 stainless steel remote capillary
	6	1.5m 304 stainless steel remote capillary
	2	2m 304 stainless steel remote capillary
	3	3m 304 stainless steel remote capillary
	4	4m 304 stainless steel remote capillary
	5	5m 304 stainless steel remote capillary
	8	8m 304 stainless steel remote capillary
	Z	Special request
9.		<b>Filled Fluid</b>
	B	Silicone Filled (Limited temperature range: -40/160°C)
	F	High temperature oil (High limited temperature range: -30/230°C)
	G	Food compatible fluid (Limited temperature range: -20/160°C)
	E	Fluorolube Filled (Limited temperature range: -50/150°C)