

Description & Features

- 2.5" (63mm) to 6" (150mm) durable gauges
- 2.5" (63mm) dial have a blue and red coloured case for easy identification
- Dual scale (psi/F)
- Flutterless movement on the 2.5" (63mm)
- Chlorofluorocarbon (CFC) temperature scales (R-12, R-22 & R-502)
- Brass internals
- 1/4" NPT standard

Applications

- Refrigeration equipment and refrigeration recovery equipment

Specifications

Dial Size

2.5"(63mm), 4"(100mm) and 6"(150mm), white aluminum, (2.5" liquid filled, multi-coloured dial.)

Pressure Range

30"/0/120 psi (retard 250), 30"/0/300 psi, 0/500 psi

Case Material

2.5"(63mm): plastic, colour coded, blue for low pressure and red for high pressure,
4"(100mm) and 6"(150mm): steel painted back

Lens Material

2.5"(63mm) dry: plexiglass, threaded;
2.5"(63mm) liquid filled: polycarbonate lens;
4"(100mm) and 6"(150mm): glass

Ring Material

2.5"(63mm) liquid filled stainless steel, crimped
4"(100mm): brass, polished
6"(150mm): steel, painted black

Pointer

Aluminum anodized black
2.5"(63mm) liquid filled aluminum, anodized red.

Bourdon Tube

2.5"(63mm): Phosphor bronze, vibration free (flutterless movement-dry only);
4"(100mm) and 6"(150mm): Phosphor bronze



1. Dry
2. Liquid Filled

Connection

1/8", 1/4", 1/2" in NPT, BSP, BSPT / M14X1.5

Enclosure

IP 52 Dry
IP 65 Liquid Filled

Over-pressure Limit:

25% of full scale value

Working Pressure

Maximum 75% of full scale value

Ambient/Process Temperature

2.5"(63mm), 4"(100mm), 6"(150mm)
-40 F to 158 °F(-40 C to 70 C)
2.5"(63mm) liquid filled:
-13 F to 140 F(-25 C to 60 C) °

Accuracy

± 2.0% ANSI / ASME Grade B: 2.5"(63mm)
± 1.0% ANSI / ASME Grade 1A: 4" (100mm) and 6" (150mm)

Option

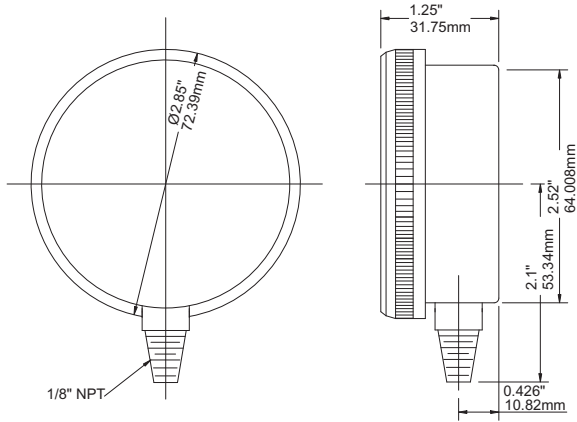
Glycerin filled, Silicone filled

Order Information

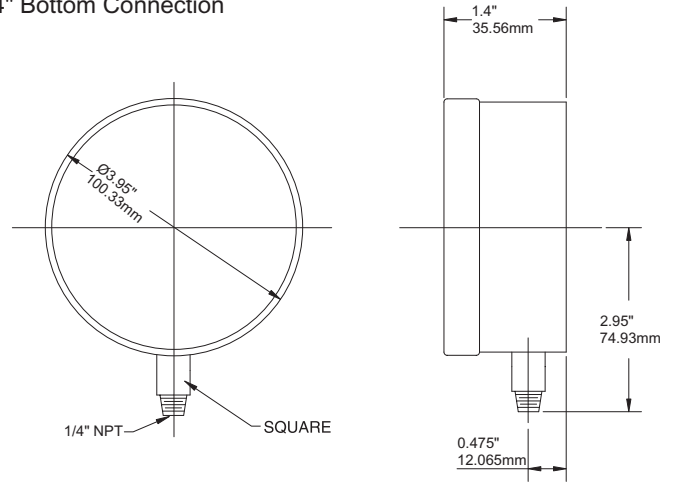
Series/ Dial Size/ Case Materials/ Wetted Parts/ Configuration/ Connection Size/ Thread/ Range/ Option

Dimensions

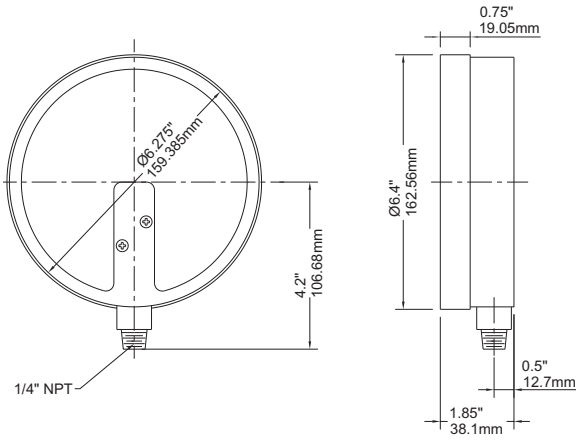
2.5" Bottom Connection



4" Bottom Connection

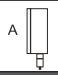


6" Bottom Connection



PFG Freon Gauge

Ordering Code PFG Series

Field No.	Code	Specifications						
1.	PFG	Series						
2.		Dial Size						
	25	2.5" (63mm)						
	40	4.0" (100mm)						
	60	6.0" (150mm)						
3.		Case Materials						
	P	plastic, colour coded, blue for low pressure and red for high pressure,						
	Y	steel painted back						
4.		Ring Material						
	S	Liquid filled stainless steel, crimped						
	B	Brass, polished						
	Y	Steel, painted black						
5.		Wetted Parts Material						
	B	Brass						
6.		Configuration						
	A	Bottom connection, stem mounting						
								
7.		Connection						
	8	1/8"						
	2	1/2"						
	4	1/4"						
	Z	Special						
8.		Thread						
	N	NPT						
	B	BSP (G)						
	T	BSPT (R)						
	Z	Special						
9.		Range (XXXX)						
		Standard Ranges						
	psi	30"/0/120	0/500					
		30"/0/300						
10.		Options						
	SE	Glycerin filled						
	SD	Silicone filled						