

# PAM Ammonia Premium Gauge

## Description & Features

- Wide variety of measure pressure and temperature of ammonia systems
- $\pm 1.6\%$  and  $\pm 3-2-3\%$  accuracy available
- 2.5" (63mm), 3.5" (90mm), 4" (100mm) dial sizes

## Applications

- Used to display pressure and temperature on closed refrigeration systems



Note: RoHS applies only to SS internals

## Specifications

|                                    | Accuracy: $\pm 1.6\%$   | Accuracy: $\pm 3-2-3\%$                                       |
|------------------------------------|---|---|
| <b>Dial Size</b>                   | 2.5" (63mm), 3.5" (90mm), 4" (100mm): White aluminum                                | 2.5" (63mm), 4" (100mm): White aluminum                       |
| <b>Case Material</b>               | 2.5" (63mm), 4" (100mm): AISI 304 SS<br>3.5" (90mm): Steel painted black            | 2.5" (63mm), 4" (100mm): Steel painted black                  |
| <b>Lens Material</b>               | Polycarbonate   | Polycarbonate   |
| <b>Ring Material</b>               | 2.5" (63mm): SS<br>3.5" (90mm): Steel<br>4" (100mm): AISI 304 SS                    | 2.5" (63mm): Steel, painted black<br>4" (100mm): Plated steel |
| <b>Socket</b>                      | 316L SS   | 2.5" (63mm): Steel<br>4" (100mm): Nickel plated steel         |
| <b>Connection</b>                  | 1/4" NPT standard   | 1/4" NPT standard   |
| <b>Bourdon Tube</b>                | 316L SS, drawn seamless   | 316 SS  |
| <b>Movement</b>                    | 304 SS  | 304 SS  |
| <b>Pointer</b>                     | Aluminum, anodized black  | Aluminum, anodized black                                      |
| <b>Welding</b>                     | TIG   | TIG   |
| <b>Over-Pressure Limit</b>         | 30% of full scale value   | 30% of full scale value                                       |
| <b>Working Pressure</b>            | Maximum 75% of full scale value   | Maximum 75% of full scale value                               |
| <b>Ambient/Process Temperature</b> | -40°F to 150°F (-40°C to 65°C): Dry<br>-4°F to 150°F (-20°C to 65°C): Liquid filled | -40°F to 150°F (-40°C to 65°C): Dry                           |
| <b>Accuracy</b>                    | $\pm 1.6\%$ of full scale value   | $\pm 3-2-3\%$ ANSI/ASME Grade B                               |
| <b>Enclosure Rating</b>            | IP65  | IP52  |

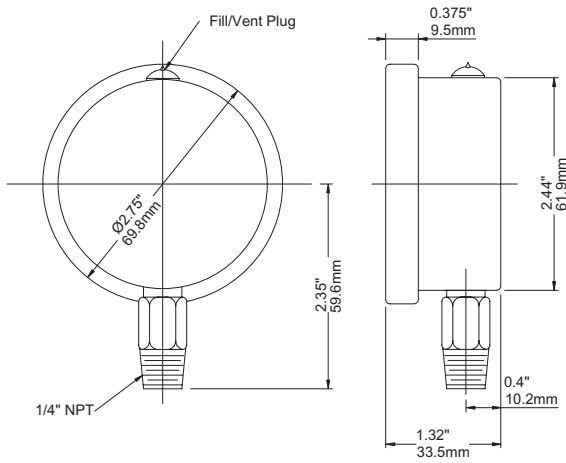
## Order Information

Series/ Dial Size/ Case Materials/ Wetted Parts/ Configuration/ Connection Size/ Thread/ Range/ Option

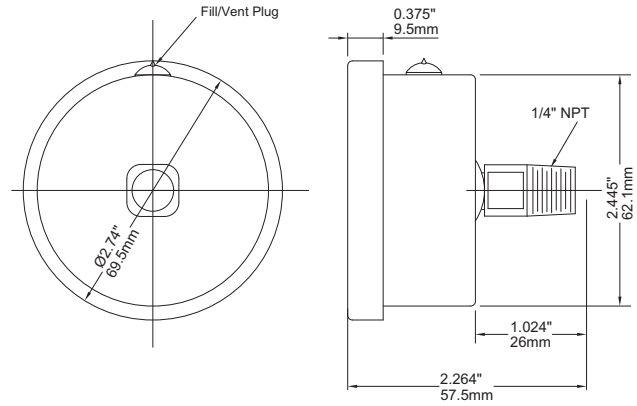
# PAM Ammonia Premium Gauge

## Dimensions

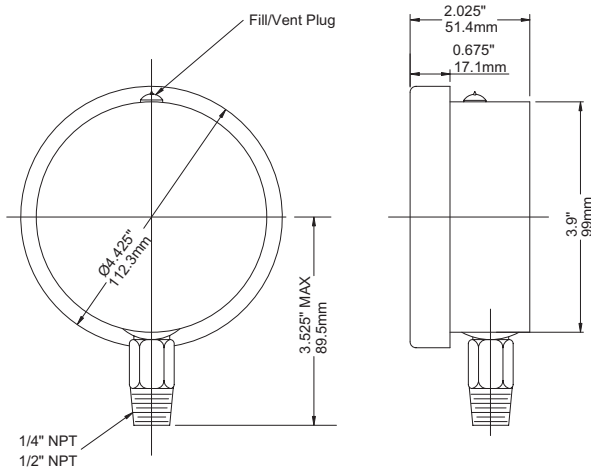
2.5" Bottom Connection - stainless steel



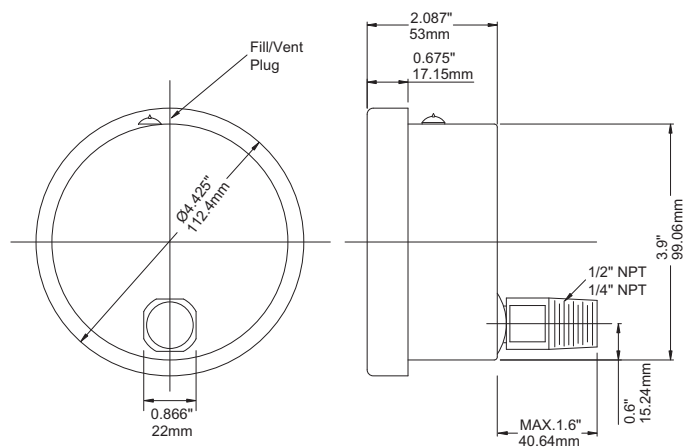
2.5" Back Connection - stainless steel



4" Bottom Connection - stainless steel



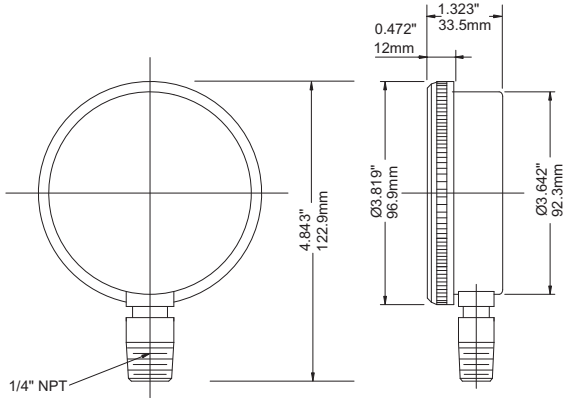
4" Back Connection - stainless steel



# PAM Ammonia Premium Gauge

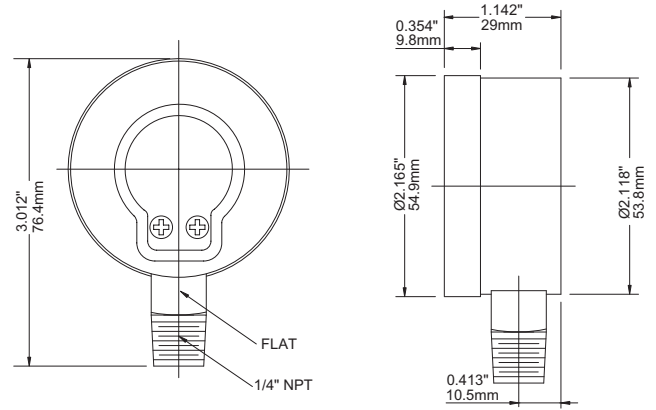
Accuracy:  $\pm 1.5\%$

3.5" Bottom Connection

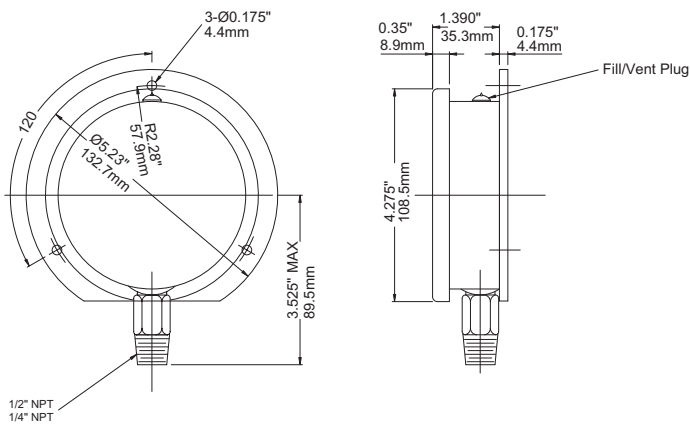


Accuracy:  $\pm 3-2-3\%$

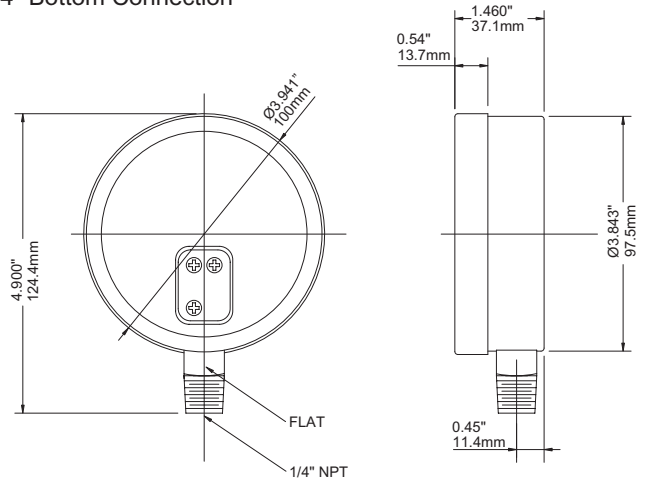
2.5" Bottom Connection



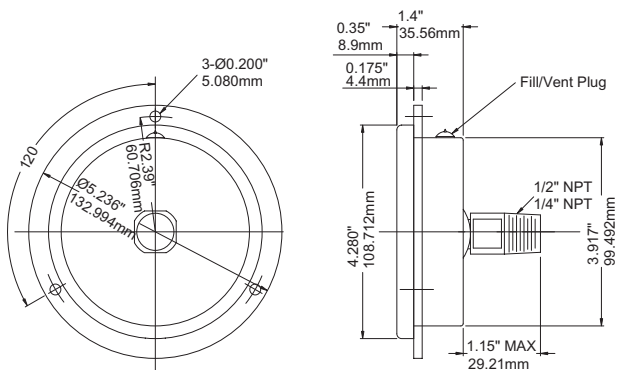
4" Bottom Connection with Back Flange



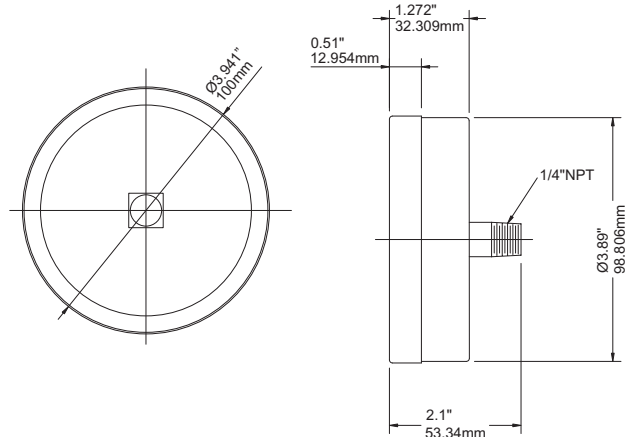
4" Bottom Connection



4" Back Connection with Front Flange



4" Back Connection



# PAM Ammonia Premium Gauge

## Ordering Code PAM Series

| Field No. | Code | Specifications   |  |  |  |  |  |  |  |
|-----------|------|--|--|--|--|--|--|--|--|
| 1.        | PAM  | Series   |  |  |  |  |  |  |  |
|           |      | <b>Accuracy</b>  |  |  |  |  |  |  |  |
| 2.        | SG   | ±1.6%  |  |  |  |  |  |  |  |
|           | S6   | ±3-2-3%  |  |  |  |  |  |  |  |
|           |      | <b>Dial Size</b>   |  |  |  |  |  |  |  |
| 3.        | 25   | 2.5" (63mm)  |  |  |  |  |  |  |  |
|           | 35   | 3.5" (90mm)  |  |  |  |  |  |  |  |
|           | 40   | 4.0" (100mm)   |  |  |  |  |  |  |  |
|           |      | <b>Case Materials</b>  |  |  |  |  |  |  |  |
| 4.        | T    | 304 SS   |  |  |  |  |  |  |  |
|           | Y    | Steel painted black  |  |  |  |  |  |  |  |
|           |      | <b>Ring</b>  |  |  |  |  |  |  |  |
| 5.        | T    | 304 SS   |  |  |  |  |  |  |  |
|           | P    | Plastic  |  |  |  |  |  |  |  |
|           | Y    | Steel painted black  |  |  |  |  |  |  |  |
|           |      | <b>Configuration</b>   |  |  |  |  |  |  |  |
| 6.        | A    | Bottom connection, stem mounting                             |  |  |  |  |  |  |  |
|           | B    | Bottom connection, back flange, surface mounting             |  |  |  |  |  |  |  |
|           | D    | Back connection, stem mounting                               |  |  |  |  |  |  |  |
|           | F    | Back connection, wide front flange, (drilled) panel mounting |  |  |  |  |  |  |  |
|           | Z    | Special  |  |  |  |  |  |  |  |
|           |      |  |  |  |  |  |  |  |  |
|           |      | <b>Connection Size</b>                                       |  |  |  |  |  |  |  |
| 7.        | 8N   | 1/4" NPT   |  |  |  |  |  |  |  |
|           | 2N   | 1/2" NPT   |  |  |  |  |  |  |  |
| 8.        |      | <b>Range (XXXX)</b>  |  |  |  |  |  |  |  |
|           |      | <b>Standard Ranges</b>                                       |  |  |  |  |  |  |  |
|           | psi  | 30"/0/150/°F   |  |  |  |  |  |  |  |
|           |      | 30"/0/300/°F   |  |  |  |  |  |  |  |
|           |      |  |  |  |  |  |  |  |  |
|           |      |  |  |  |  |  |  |  |  |