

Description & Features

- Small diameter, 1.5" (40mm)
- Back and bottom connection
- Small diameter, all stainless steel gauge
- Full view snap-in lens

Applications

- Regulators, valve positioners and actuators that require a reliable and corrosion resistant pressure gauge

Specifications

Dial Size

1.5" (40mm) white aluminum, with black and red markings

Pressure Range

From vacuum to 3000 psi for wetted parts brass
From vacuum to 5000 psi for wetted parts 316 stainless steel

Case Material

304 stainless steel, standard
316 stainless steel case

Lens Material

Acrylic, standard
Glass lens can be requested

Pointer

Aluminum, painted black

Bourdon Tube

Brass, 316 stainless steel or 316L stainless steel

Movement

304 stainless steel

Socket

Brass, Brass Nickel plated,
316 stainless steel or 316L stainless steel



Process Connection

1/4" or 1/8" in NPT, G, BSP, BSPT. M14X1.5

Protection

IP 52

Process Temperature

-40°F to 150°F (-40°C to 65°C)

Ambient Temperature

-40°F to 150°F (-40°C to 65°C)

Working Pressure

Maximum 75% of full scale value

Over-pressure Limit

25% of full scale value

Accuracy

±3-2-3% ANSI / ASME Grade B

Welding

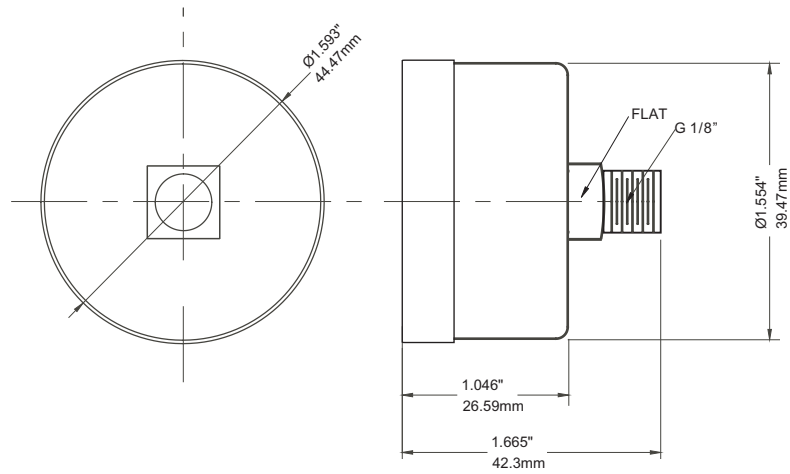
Tin soldering or silver alloy

Order Information

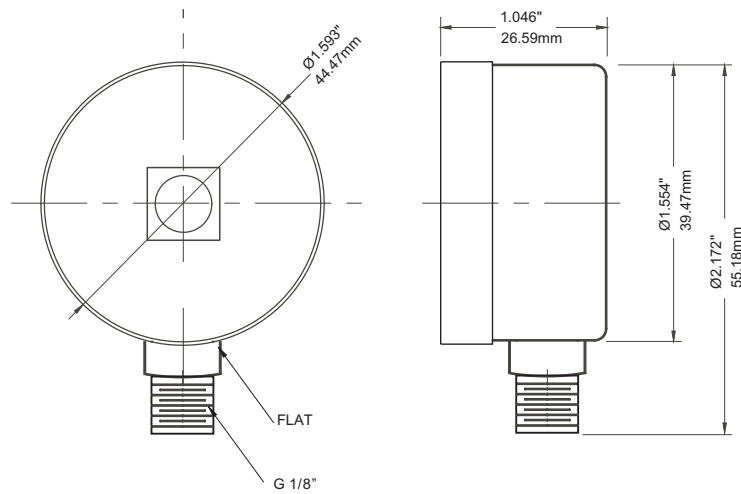
Series/ Dial Size/ Case Materials/ Wetted Parts/ Configuration/ Connection Size/ Thread/ Range/ Option

Dimensions

1.5" Back Connection



1.5" Bottom Connection



Ordering Code PRL Series

Field No.	Code	Specifications						
1.	PRL	Series						
Dial Size								
2.	15	1.5" (40mm)						
Case Materials								
3.	T	304 SS						
	S	316 SS						
Wetted Parts								
4.	S	316 SS						
	L	316L SS						
	N	Brass with Brass Nickel plated						
	Z	Special						
Configuration								
5.	A	Bottom connection, stem mounting						
	D	Back connection, stem mounting						
	Z	Special						
Connection								
6.	8	1/8"						
	4	1/4"						
	Z	Special						
Thread								
7.	N	NPT						
	B	BSP (G)						
	T	BSPT (R)						
	Z	Special						
8.		Range (XXXX)						
Standard Ranges								
MPa	-0.1/0	-0.1/0.9	0/0.1	0/1	0/10			
	-0.1/0.06	-0.1/1.5	0/0.16	0/1.6	0/16			
	-0.1/0.15	-0.1/2.4	0/0.25	0/2.5	0/25			
	-0.1/0.3		0/0.4	0/4	0/40			
	-0.1/0.5		0/0.6	0/6				
bar	-1/0	-1/9			0/1	0/10	0/100	
	-1/0.6	-1/15			0/1.6	0/16	0/160	
	-1/1.5	-1/24			0/2.5	0/25	0/250	
	-1/3				0/4	0/40	0/400	
	-1/5				0/6	0/60		
psi	30"/0	30"/0/150	0/15	0/160	0/600	0/5000		
	30"/0/15		0/30	0/200	0/1500			
	30"/0/30		0/60	0/300	0/2000			
	30"/0/60		0/100	0/400	0/3000			
	30"/0/100							
kg/cm ²	-1/0	-1/9	0/1	0/10	0/100			
	-1/0.6	-1/15	0/1.6	0/16	0/160			
	-1/1.5	-1/24	0/2.5	0/25	0/250			
	-1/3		0/4	0/40	0/400			
	-1/5		0/6	0/60				
kPa	-100/0	-100/900			0/100	0/1000		
	-100/60	-100/1500			0/160	0/1600		
	-100/150	-100/2400			0/250	0/2500		
	-100/300				0/400	0/4000		
	-100/500				0/600	0/6000		