

Description & Features

- Reliable, small diameter, low profile gauge
- 1" (25mm) to 1.5" (40mm) sizes
- 1/8" NPT socket
- UL Listed for 1.25" and 1.5" gauges
- Direct drive movement (no linkages or hairsprings) eliminating premature failure from the gear and movement
- Safety over-pressure port on the lens
- "Use no Oil" for use in oxygen service

Applications

- Commonly used on portable pneumatic equipment such as compressors, hand-held sprayers, pressurized recreational guns, oxygen tanks and regulators, pumps and fire extinguishers

Specifications

Dial Size

1"(25mm), 1.125" (30mm), 1.25" (32mm) and 1.5"(50mm)
white aluminum with black markings

Pressure Range

From 0...60 psi to 0...5000 psi (0...4 bar to 0...345 bar)

Case Material

304 stainless steel
except for 1"(25mm) nickel plated brass

Lens Material

Plexiglass

Pointer

3000 psi and below: Brass
4000 psi and above: 304 SS

Spiral/Socket

60 to 2000 psi: Brass
3000 psi: Beryllium copper
4000 psi and above: 304 SS

Connection

1/8" in NPT, BSP, BSPT



Protection

IP 65

Ambient/Process Temperature

-40°F to 150°F (-40°C to 65°C)

Working Pressure

Maximum 75% of full scale value

Over-pressure Limit

10% of full scale value

Accuracy

±3%-2%-3% ANSI/ASME Grade B

Options

Use no oil
Oxygen Cleaning
Calibration Certificate
Black rubber boot (1.25", 1.5")

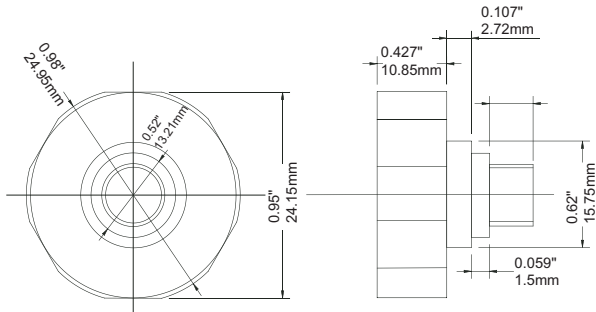
Order Information

Series/ Dial Size/ Case Materials/ Wetted Parts/ Configuration/ Connection Size/ Thread/ Range/ Option

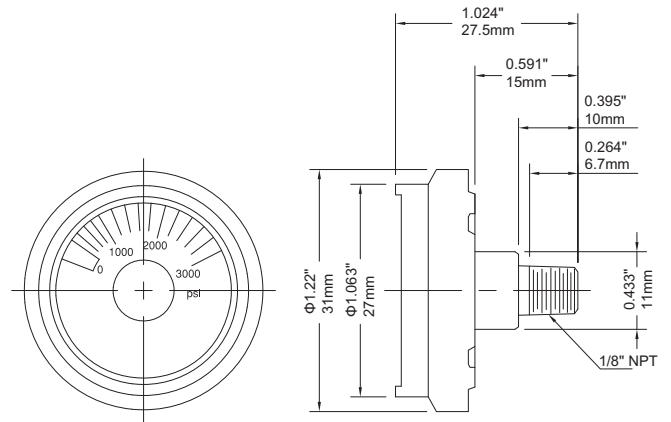
PSP Spiral Tube Gauge

Dimensions

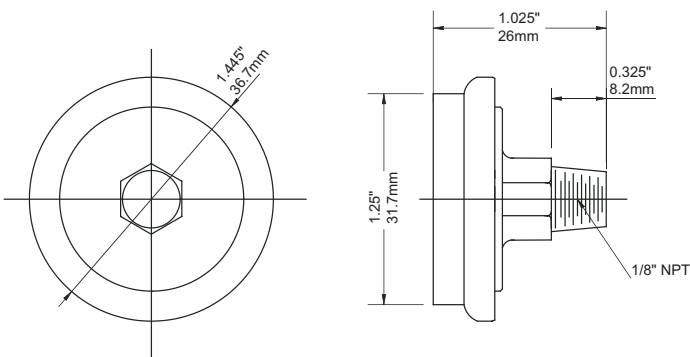
1" Spiral Hex Tube Gauge



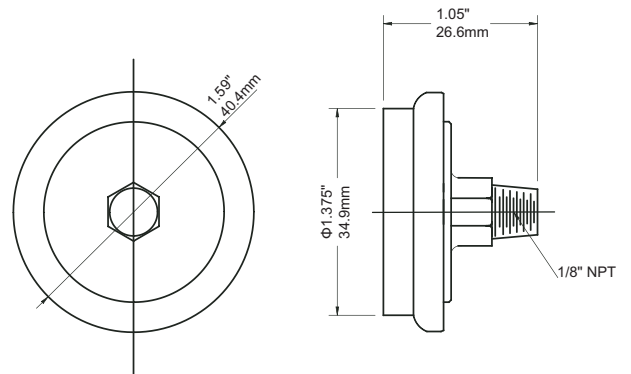
1-1/8" Spiral Tube Gauge



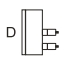
1.25" Spiral Tube Gauge



1.5" Spiral Tube Gauge



Ordering Code PSP Series

Field No.	Code	Specifications																																
1.	PSP	Series																																
2.		Dial Size																																
	10	1.0" (28mm)																																
	11	1.125" (30mm)																																
	13	1.25" (32mm)																																
	15	1.5" (40mm)																																
3.		Case Materials																																
	T	304 SS																																
	B	Brass																																
4.		Wetted Parts																																
	T	304 SS																																
	B	Brass																																
	Z	Special																																
5.		Configuration																																
	D	Back connection, stem mounting																																
	Z	Special																																
																																		
6.		Connection																																
	8	1/8"																																
	Z	Special																																
7.		Thread																																
	N	NPT																																
	B	BSP (G)																																
	T	BSPT (R)																																
	Z	Special																																
8.		Range (XXXX)																																
		Standard Ranges																																
	psi	<table border="1"> <tr> <td></td> <td></td> <td></td> <td>0/160</td> <td></td> <td>0/3000</td> <td></td> <td></td> </tr> <tr> <td></td> <td></td> <td></td> <td>0/200</td> <td>0/1000</td> <td>0/4000</td> <td></td> <td></td> </tr> <tr> <td></td> <td></td> <td>0/60</td> <td>0/300</td> <td>0/1500</td> <td>0/5000</td> <td></td> <td></td> </tr> <tr> <td></td> <td></td> <td>0/100</td> <td>0/600</td> <td>0/2000</td> <td></td> <td></td> <td></td> </tr> </table>				0/160		0/3000						0/200	0/1000	0/4000					0/60	0/300	0/1500	0/5000					0/100	0/600	0/2000			
			0/160		0/3000																													
			0/200	0/1000	0/4000																													
		0/60	0/300	0/1500	0/5000																													
		0/100	0/600	0/2000																														
	Z	Special																																
9.		Options																																
	SY	Use no oil																																
	SL	Oxygen Cleaning																																
	SO	Calibration Certificate																																
	SZ	Black rubber boot																																