

Description & Features

- Cost effective and reliable
- Simple and compact design
- Easy to read dial instrument eliminates accumulated errors of two instruments installations
- Working pressure up to 100 bar
- Differential pressure range up to 4bar
- Zero migration between high and low pressures
- Adjustable reed contact switching
- Indicating mechanism isolated from pressure chamber
- Only switch is also available
- Wide application in air, gas and liquid media

Applications

Monitor filter conditions, set filter by-pass, or initiate filter cleaning cycle. Determine obstructions in process lines. Check condition of pumps, heat exchangers, and other processing equipment. Detect abnormal and reverse flow conditions. Measure flow rates with venturi, orifice, or pitot tube. Balance and adjust flow rates in piping systems. Monitor liquid levels in storage tanks

Specifications

Dial Size

2.5"(63mm), 3.5"(80mm), 4"(100mm)
4.5"(115mm) & 6"(150mm)

Case

Stainless steel case or flange

Body Material

316 stainless steel, Aluminium or Brass

Wetted parts

Diaphragm, ceramic magnet, SS 304 spring

Connection

1/4", 1/2", 3/8" in NPT, BSP, BSPT

Seals

Buna-N (Standard) or Viton

Porting

In line, Back or bottom

Migration of media

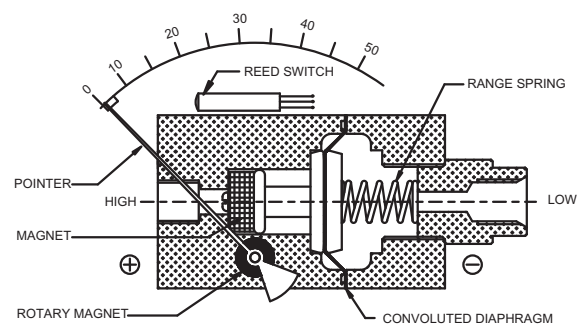
Zero migration between high and low pressures

Protection

IP 65

Window

Glass, Acrylic or Toughened glass



Pressure range

0-0.075 to 0-4 bar (0-1psi to 0-60 psi)

Working pressure

100 bar / 1500 psi

Media Temperature

80 °C/ 175 °F

Accuracy

±2% of FSD (Ascending)

Operating principle

Magnetic coupling with a convoluted diaphragm sensor

Switch

SPST or SPDT, one or two. Switches are field adjustable. The set points can be increased or decreased externally with a simple screwdriver adjustments. When two switches are used, either switch can be adjusted independently

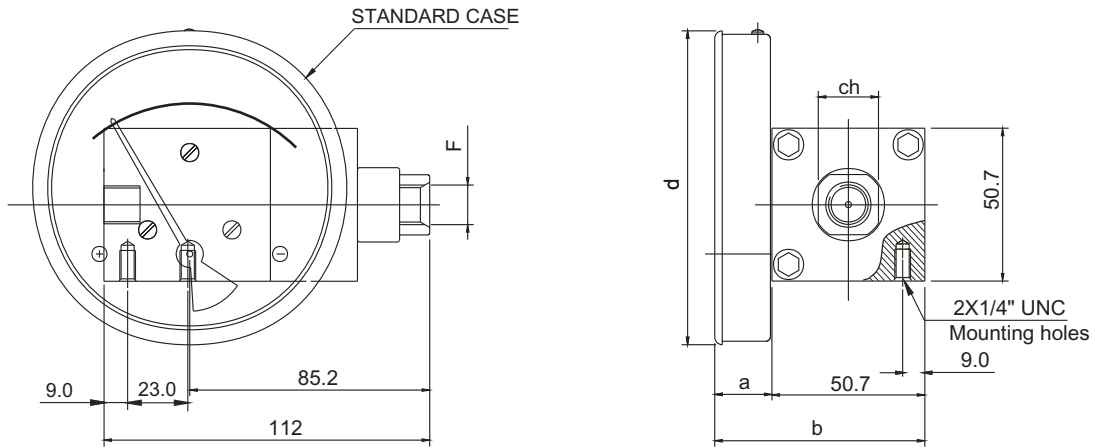
Options

Glycerine filling, maximum adjustable pointer, dual scale
Direct, front panel flange, 2" pipe mounting
Other connection size available
Other internal parts in Aluminium, or SS-316 as per the body

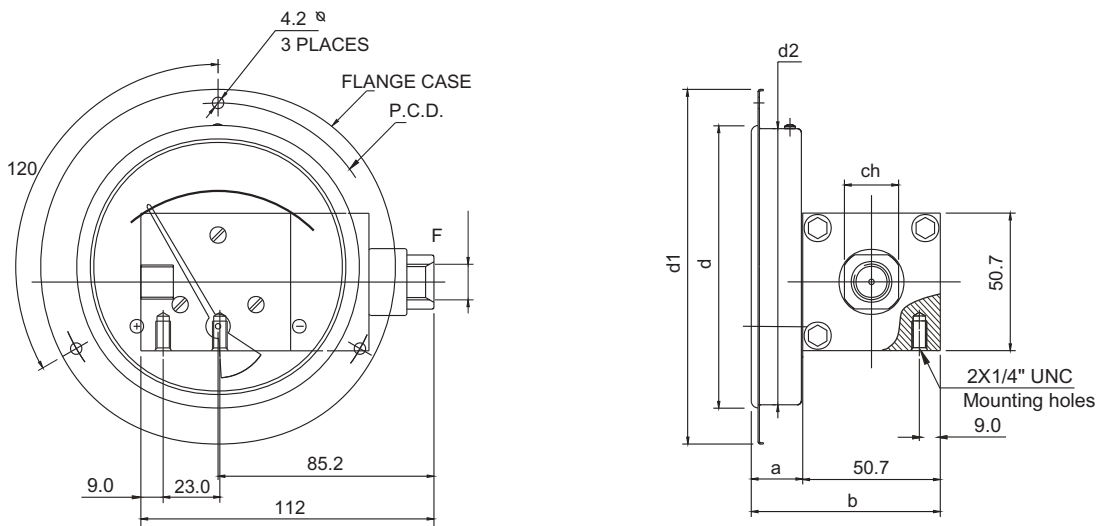
Order Information

Series/ Dial Size/ Case Materials/ Wetted Parts/ Configuration/ Connection Size/ Thread/ Range/ Option

Dimensions



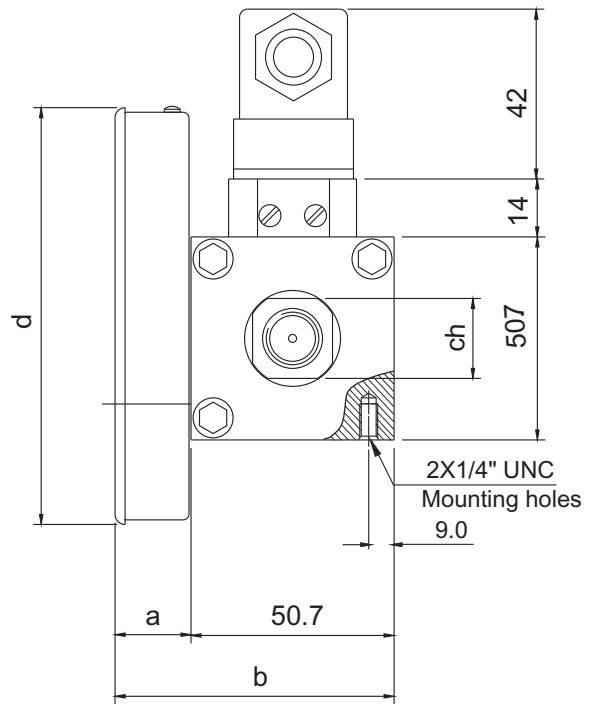
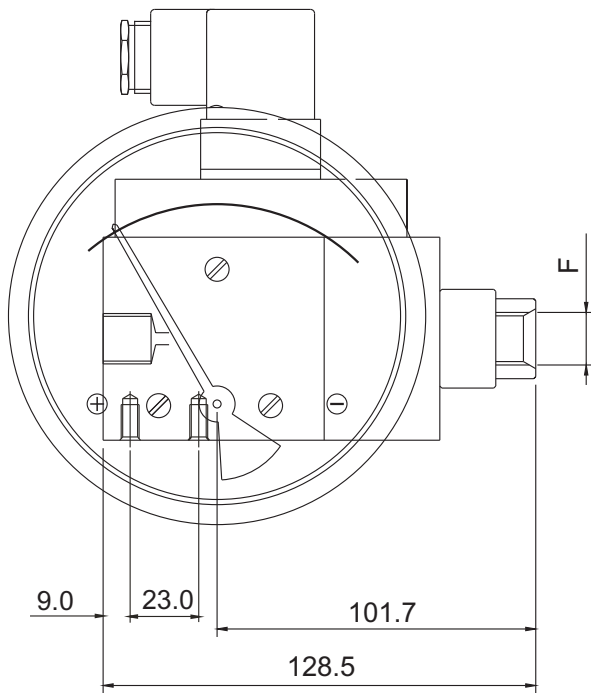
DIAL Ø	F	a	b	d	ch
63 (2.5")	1/4"BSP - 1/4"NPT	19	69.7	66	20
80 (3.5")	1/4"BSP - 1/4"NPT	19	69.7	83	20
100 (4")	1/4"BSP - 1/4"NPT	19	69.7	104.3	20
115 (4.5")	1/4"BSP - 1/4"NPT	19	69.7	119.7	20
150 (6")	1/4"BSP - 1/4"NPT	19	69.7	154.3	20



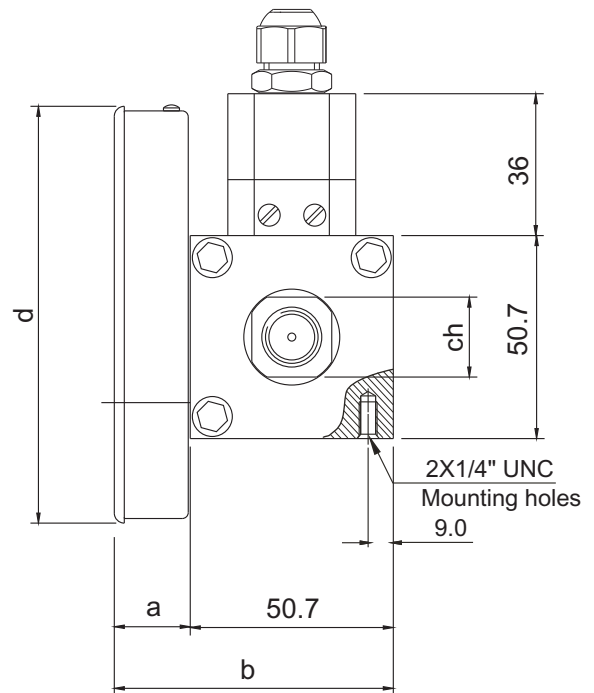
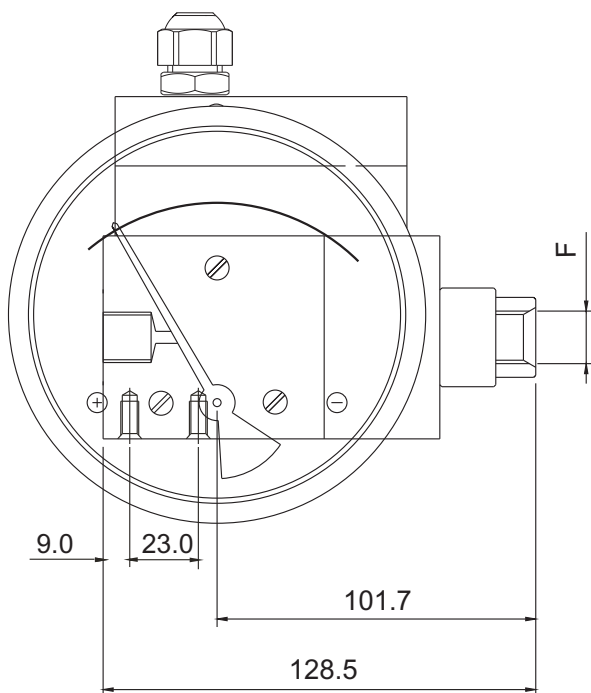
DIAL Ø	F	a	b	d1	d2	ch	p.c.d.	d *
63(2.5")	1/4"BSP - 1/4"NPT	19	69.7	93	65	20	83	66
80(3.5")	1/4"BSP - 1/4"NPT	19	69.7	109	82	20	99	83
100(4")	1/4"BSP - 1/4"NPT	19	69.7	131	102	20	121	104.3
115(4.5")	1/4"BSP - 1/4"NPT	19	69.7	146	117	20	136	119.7
150(6")	1/4"BSP - 1/4"NPT	19	69.7	181	152.5	20	171	154.3

* PANEL CUTOUT = d + 1

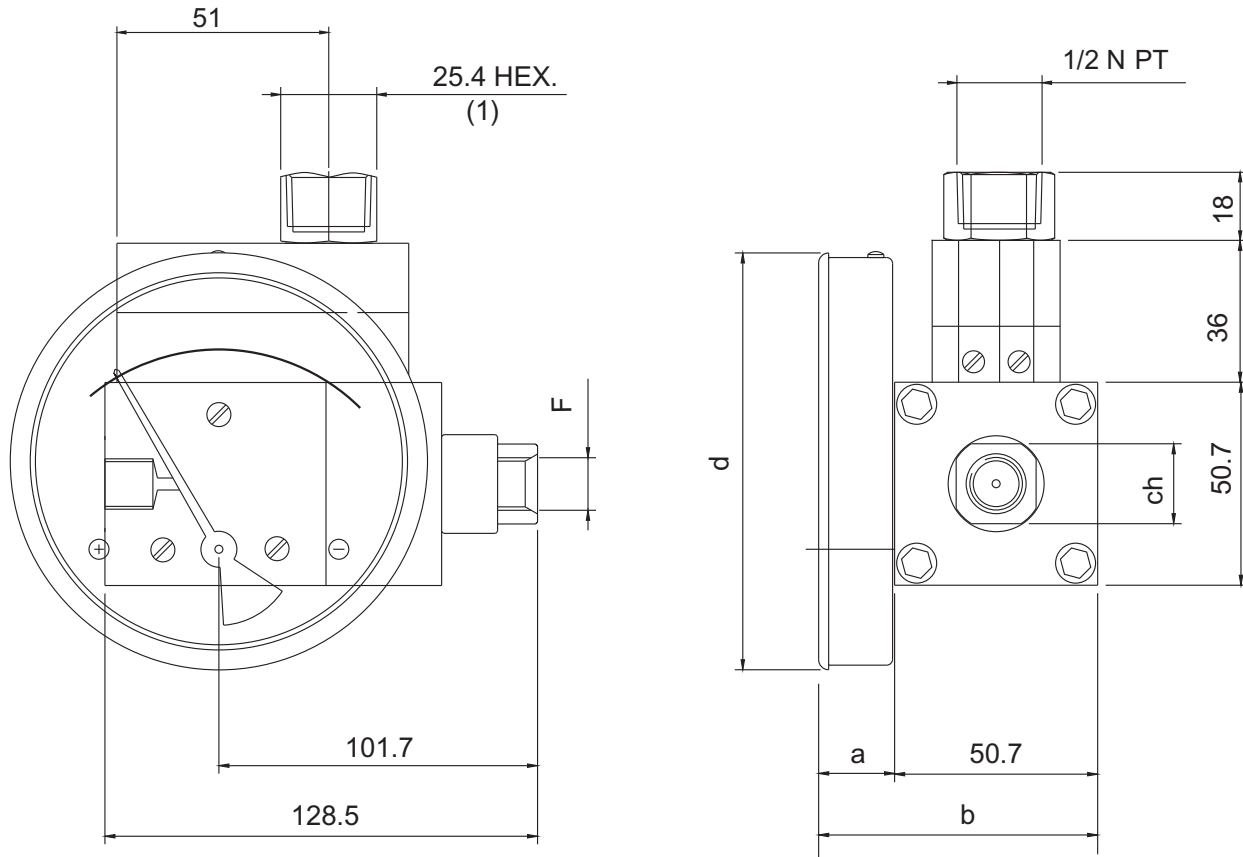
GAUGE + SWITCH WITH REED CONTACTS WITH DIN PLUG AND TERMINAL STRIP



DIAL Ø	F	a	b	d	ch
63	1/4"BSP - 1/4"NPT	19	69.7	66	20
80	1/4"BSP - 1/4"NPT	19	69.7	83	20
100	1/4"BSP - 1/4"NPT	19	69.7	104.3	20
115	1/4"BSP - 1/4"NPT	19	69.7	119.7	20
150	1/4"BSP - 1/4"NPT	19	69.7	154.3	20



GAUGE + SWITCH WITH REED CONTACTS WITH TERMINAL STRIP & 1/2" NPT CONDUIT CONNECTION



DIAL Ø	F	a	b	d	ch
63	1/4"BSP - 1/4"NPT	19	69.7	66	20
80	1/4"BSP - 1/4"NPT	19	69.7	83	20
100	1/4"BSP - 1/4"NPT	19	69.7	104.3	20
115	1/4"BSP - 1/4"NPT	19	69.7	119.7	20
150	1/4"BSP - 1/4"NPT	19	69.7	154.3	20

Ordering Code PSD Series

Field No.	Code	Specifications												
1.	PSD	Series												
		Dial Size												
2.	25	2.5" (63mm)												
	35	3.5" (80mm)												
	40	4" (100mm)												
	45	4.5" (115mm)												
	60	6" (150mm)												
		Type												
3.	A	Gauge												
	B	Switch												
	C	Gauge+Switch												
		Body Material												
4.	S	316 stainless steel												
	B	Brass												
	J	Aluminium (anodized semi hard)												
	N	Nylon												
		Case Material												
5.	S	SS case with rubber ring (standard)												
	F	SS case with rubber ring and integral front flange												
		Window												
6.	F	Glass (standard)												
	T	Toughened glass												
	A	Acrylic												
		Porting												
7.	1	In-line (standard)												
	2	Rear / back												
	3	Bottom												
	4	Bottom & Vent												
	5	Inline & Vent												
		Connection												
8.	4B	1/4" BSP (Female) (On request, longer lead time)												
	4N	1/4" NPT (Female)												
	ZZ	Special connection sizes using adaptor												
		Seal												
9.	B	Buna-N (standard)												
	V	Viton												
	E	EPDM												
		Switch												
10.	0	None												
	1	One SPST, with a DIN plug*												
	2	One SPST, with a terminal strip												
	9	One SPST, with built in relay												
	3	Two SPSTs, with a DIN plug*												
	4	Two SPSTs, with a terminal strip												
	5	One SPDT, with a DIN plug*												
	6	One SPDT, with a terminal strip												
	7	Two SPDTs, with two DIN plugs*												
	8	Two SPDTs, with a terminal strip												
		* DIN plug : We mount it on the top, on the plastic switch cover. However we can mount it at the back as a request												
		<table border="0"> <tr> <td>SPDT Specifications</td> <td>Built in relay</td> <td>SPST Specifications</td> </tr> <tr> <td>5 VA AC or DC (max)</td> <td>230 V AC, 1 Amps.</td> <td>10 VA AC or DC (max)</td> </tr> <tr> <td>175 V AC or DC (max)</td> <td></td> <td>150 V AC or DC (max)</td> </tr> <tr> <td>0.25 Amp AC or DC (max)</td> <td></td> <td>0.5 Amp AC or DC (max)</td> </tr> </table>	SPDT Specifications	Built in relay	SPST Specifications	5 VA AC or DC (max)	230 V AC, 1 Amps.	10 VA AC or DC (max)	175 V AC or DC (max)		150 V AC or DC (max)	0.25 Amp AC or DC (max)		0.5 Amp AC or DC (max)
SPDT Specifications	Built in relay	SPST Specifications												
5 VA AC or DC (max)	230 V AC, 1 Amps.	10 VA AC or DC (max)												
175 V AC or DC (max)		150 V AC or DC (max)												
0.25 Amp AC or DC (max)		0.5 Amp AC or DC (max)												

Ordering Code PSD Series

Field No.	Code	Specifications																																																																																										
11.	<input type="text"/>	<table border="1"> <thead> <tr> <th colspan="15">Range (XXXX)</th> </tr> </thead> <tbody> <tr> <td>kg/cm</td> <td>0.075</td> <td>0.25</td> <td>-</td> <td>0.5</td> <td>0.75</td> <td>1</td> <td>-</td> <td>1.6</td> <td>2</td> <td>2.5</td> <td>3</td> <td>-</td> <td>4</td> <td></td> </tr> <tr> <td>bar</td> <td>0.075</td> <td>0.25</td> <td>-</td> <td>0.5</td> <td>0.75</td> <td>1</td> <td>-</td> <td>1.6</td> <td>2</td> <td>2.5</td> <td>3</td> <td>-</td> <td>4</td> <td></td> </tr> <tr> <td>mbar</td> <td>75</td> <td>250</td> <td>-</td> <td>500</td> <td>750</td> <td>1000</td> <td>-</td> <td>-</td> <td>-</td> <td>-</td> <td>-</td> <td>-</td> <td>-</td> <td>-</td> </tr> <tr> <td>psi</td> <td>1</td> <td>-</td> <td>5</td> <td>8</td> <td>-</td> <td>15</td> <td>20</td> <td>25</td> <td>30</td> <td>-</td> <td>40</td> <td>50</td> <td>60</td> <td></td> </tr> <tr> <td>kPa</td> <td>-</td> <td>25</td> <td>-</td> <td>50</td> <td>75</td> <td>100</td> <td>-</td> <td>160</td> <td>200</td> <td>250</td> <td>300</td> <td>-</td> <td>400</td> <td></td> </tr> </tbody> </table> <p style="text-align: right;"><i>Other ranges on request.</i></p>	Range (XXXX)															kg/cm	0.075	0.25	-	0.5	0.75	1	-	1.6	2	2.5	3	-	4		bar	0.075	0.25	-	0.5	0.75	1	-	1.6	2	2.5	3	-	4		mbar	75	250	-	500	750	1000	-	-	-	-	-	-	-	-	psi	1	-	5	8	-	15	20	25	30	-	40	50	60		kPa	-	25	-	50	75	100	-	160	200	250	300	-	400	
Range (XXXX)																																																																																												
kg/cm	0.075	0.25	-	0.5	0.75	1	-	1.6	2	2.5	3	-	4																																																																															
bar	0.075	0.25	-	0.5	0.75	1	-	1.6	2	2.5	3	-	4																																																																															
mbar	75	250	-	500	750	1000	-	-	-	-	-	-	-	-																																																																														
psi	1	-	5	8	-	15	20	25	30	-	40	50	60																																																																															
kPa	-	25	-	50	75	100	-	160	200	250	300	-	400																																																																															
12.	<input type="text"/>	<table border="1"> <thead> <tr> <th colspan="2">Options</th> </tr> </thead> <tbody> <tr> <td>00</td> <td>None</td> </tr> <tr> <td>SE</td> <td>Glycerine filling (Affects accuracy)</td> </tr> <tr> <td>SJ</td> <td>Red follower pointer on acrylic window (Affects accuracy)</td> </tr> <tr> <td>DS</td> <td>Dual scale</td> </tr> <tr> <td>CB</td> <td>Colour band</td> </tr> <tr> <td>ES</td> <td>Strainer in (+) connection</td> </tr> <tr> <td>RP</td> <td>Reverse Port**</td> </tr> <tr> <td>NS</td> <td>NACE</td> </tr> <tr> <td>SD</td> <td>Silicone Oil*</td> </tr> <tr> <td colspan="2"> <p>Limitations for making combinations:</p> <ul style="list-style-type: none"> ▪ Glycerine filling will not have follower pointer ▪ No follower pointer available in 6"(150 mm) <p>Specifications and dimensions given in this leaflet represent the state of engineering at the time of printing, modifications may take place and materials specified may be replaced by others without prior notice.</p> </td> </tr> </tbody> </table>	Options		00	None	SE	Glycerine filling (Affects accuracy)	SJ	Red follower pointer on acrylic window (Affects accuracy)	DS	Dual scale	CB	Colour band	ES	Strainer in (+) connection	RP	Reverse Port**	NS	NACE	SD	Silicone Oil*	<p>Limitations for making combinations:</p> <ul style="list-style-type: none"> ▪ Glycerine filling will not have follower pointer ▪ No follower pointer available in 6"(150 mm) <p>Specifications and dimensions given in this leaflet represent the state of engineering at the time of printing, modifications may take place and materials specified may be replaced by others without prior notice.</p>																																																																					
Options																																																																																												
00	None																																																																																											
SE	Glycerine filling (Affects accuracy)																																																																																											
SJ	Red follower pointer on acrylic window (Affects accuracy)																																																																																											
DS	Dual scale																																																																																											
CB	Colour band																																																																																											
ES	Strainer in (+) connection																																																																																											
RP	Reverse Port**																																																																																											
NS	NACE																																																																																											
SD	Silicone Oil*																																																																																											
<p>Limitations for making combinations:</p> <ul style="list-style-type: none"> ▪ Glycerine filling will not have follower pointer ▪ No follower pointer available in 6"(150 mm) <p>Specifications and dimensions given in this leaflet represent the state of engineering at the time of printing, modifications may take place and materials specified may be replaced by others without prior notice.</p>																																																																																												