

## Description & Features

- Zero adjustment in front
- From 4 kPa to 60 kPa or from -60 kPa to -4 kPa in vacuum

## Applications

- Suitable for measuring gaseous media non-corrosive
- For gaseous, dry and non-aggressive media

## Specifications

**Standard**  
EN837-3

**Dial Size**  
2.5"(63mm), 4"(100mm) and 6"(160mm),  
white aluminum

**Pressure Range**  
Vacuum to 4...60 kPa or -60...0 kPa

**Case Material**  
Steel painted black

**Lens Material**  
Tempered glass for dial size 4", 6"  
(option: safety glass code: SA)  
PC lens for dial size 2.5"

**Ring Material**  
DIN Standard for dial size 4", 6"  
Srew-in lens without ring of dial size 2.5"

**Pointer**  
Aluminum, anodized black

**Capsule Material**  
Brass

**Movement**  
Brass

**Socket Material**  
Brass

**Connection**  
1/4", 1/2" in NPT, G, BSP, BSPT and M20x1.5

**Protection**  
IP 54 per EN 60529 / IEC 529

**Working Pressure**  
75% of full scale value

**Over-pressure Limit**  
Full scale value

**Ambient / Process Temperature**  
-40°F to 150°F (-40°C to 65°C)

**Accuracy**  
±2.5% ANSI / ASME Grade B

**Option**  
U-Clamp  
Use no oil  
Stainless steel tag number plate  
Calibration Certificate  
Material Certificate

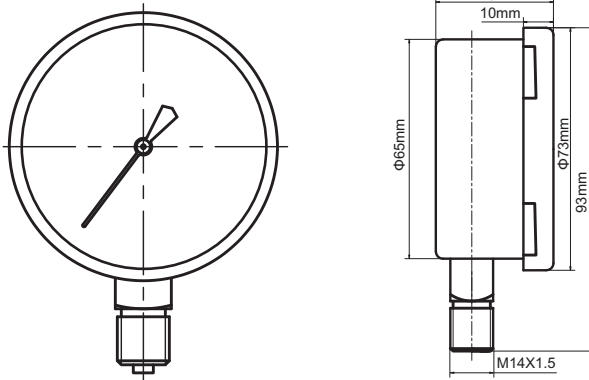


## Order Information

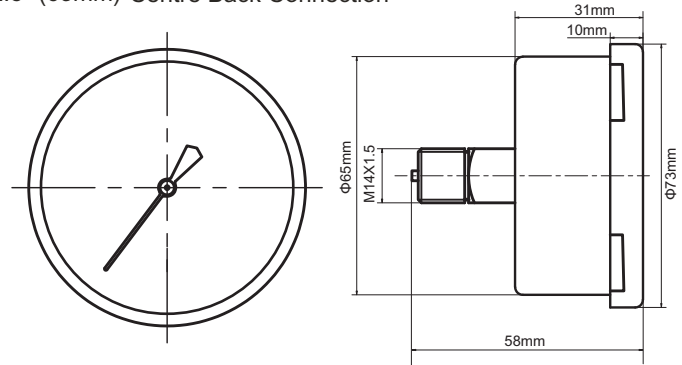
Series/ Dial Size/ Case Materials/ Wetted Parts/ Configuration/ Connection Size/ Thread/ Range/ Option

## Dimensions

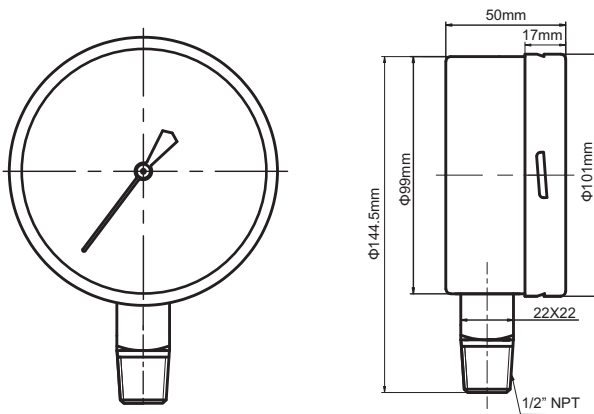
2.5" (63mm) Bottom Connection



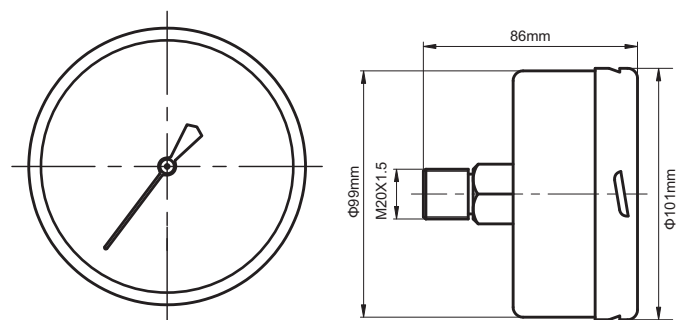
2.5" (63mm) Centre Back Connection



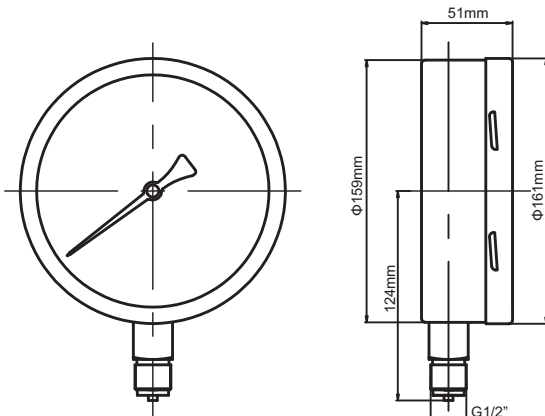
4" (100mm) Bottom Connection



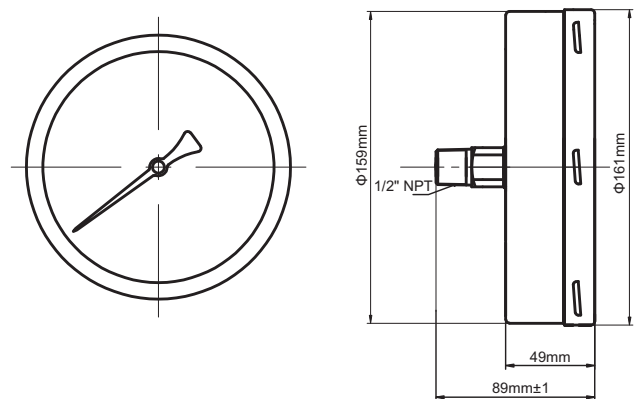
4" (100mm) Centre Back Connection



6" (160mm) Bottom Connection



6" (160mm) Centre Back Connection



## Ordering Code PLE Series

Field No.	Code	Specifications					
1.	PLE	Series					
<b>Dial Size</b>							
2.	25	2.5" (63mm)					
	40	4.0" (100mm)					
	60	6.0" (150mm)					
<b>Case Materials</b>							
3.	Y	Steel painted black					
<b>Wetted Parts</b>							
4.	B	Brass					
	Z	Special					
<b>Configuration</b>							
5.	A	Bottom connection, stem mounting					
	D	Back connection, stem mounting					
<b>Connection</b>							
6.	4	1/4"					
	2	1/2"					
	Z	Special					
<b>Thread</b>							
7.	N	NPT					
	B	BSP (G)					
	T	BSPT (R)					
	F	M14X1.5					
	M	M20X1.5					
	Z	Special					
8.		<b>Range (XXXX)</b>					
<b>Standard Ranges</b>							
psi	3.6/0	0/0.87	0/8.7				
	5.8/0	0/1.45					
	8.7/0	0/2.32					
		0/3.6					
	0/0.6	0/5.8					
kPa	-25/0		0/16				
	-40/0		0/25				
	-60/0	0/4	0/40				
		0/6	0/60				
		0/10					
mbar				0/100			
				0/160			
		-250/0		0/250			
		-400/0	0/40	0/400			
	-600/0	0/60	0/600				
mm/H2O					0/1000		
					0/1600		
					0/2500		
				0/400	0/4000		
			0/600	0/6000			
<b>Options</b>							
9.	SH	U-Clamp					
	SY	Use no oil					
	SM	Stainless steel tag number plate					
	SO	Calibration Certificate					
	GH	Material Certificate					