

## Description & Features:

- Most economical all-purpose pressure gauge
- 1.5" (40mm) to 2.5" (63mm) sizes
- Black plastic case
- Brass internals
- $\pm 3\%$ - $2\%$  accuracy

## Applications

- Plumbing, heating, air conditioning, pneumatic, hydraulic, water tanks, air compressors, OEM

## Specifications

### Dial Size

1.5" (40mm), 2" (50mm), 2.5" (63mm)  
white aluminum with black and red markings

### Pressure Range

From vacuum to 0...3000 psi (0...200 bar)

### Case Material

Black plastic case

### Lens Material

Polycarbonate

### Ring Tie

Push-in

### Pointer

Aluminum, painted black

### Bourdon Tube

Phosphor bronze

### Movement

Brass



### Socket Material

Brass

### Connection

1/8" or 1/4" in NPT, G, BSP, BSPT. M14X1.5

### Protection

IP 52

### Working Pressure

Maximum 75% of full scale value

### Over-pressure Limit

25% of full scale value

### Ambient Temperature

-40°F to 150°F (-40°C to 65°C)

### Process Temperature

-40°F to 150°F (-40°C to 65°C)

### Accuracy

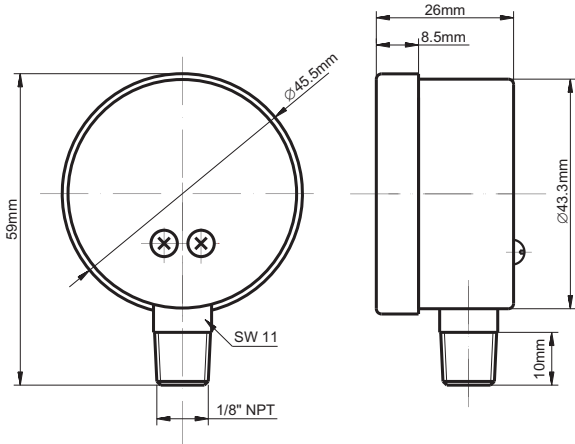
$\pm 3\%$ - $2\%$  ANSI/ASME Grade B

## Order Information

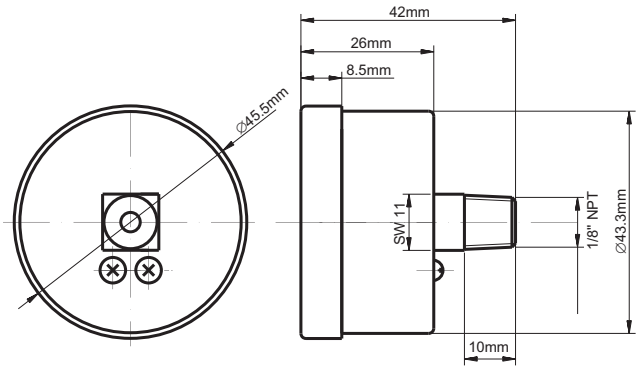
Series/ Dial Size/ Case Materials/ Wetted Parts/ Configuration/ Connection Size/ Thread/ Range/ Option

## Dimensions

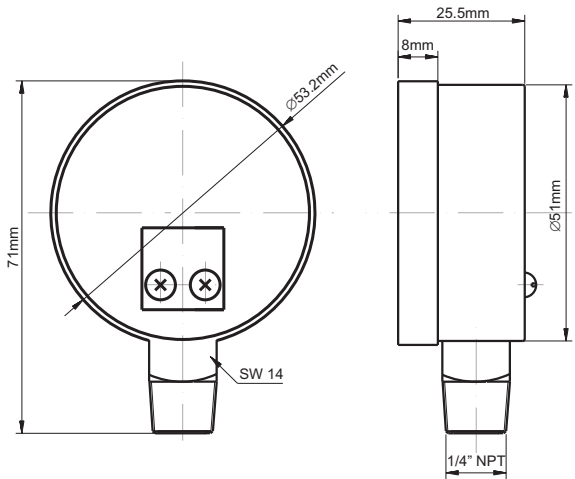
### 1.5" Bottom Connection



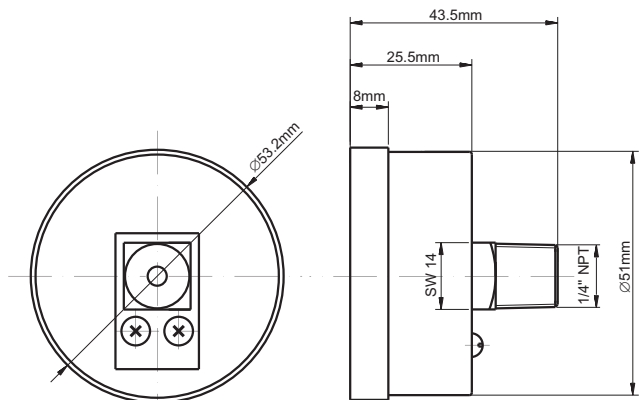
### 1.5" Back Connection



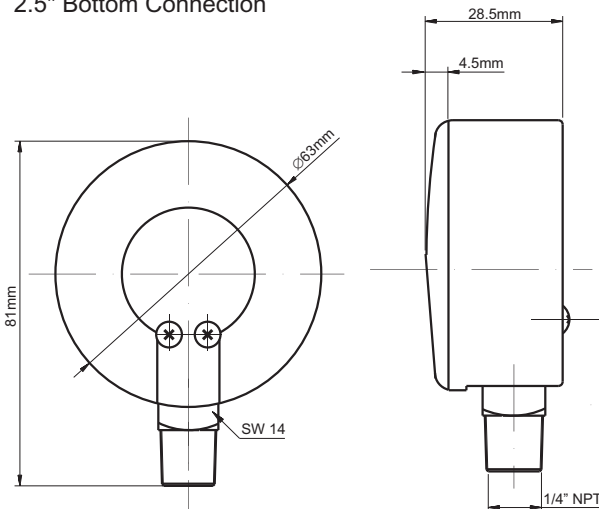
### 2" Bottom Connection



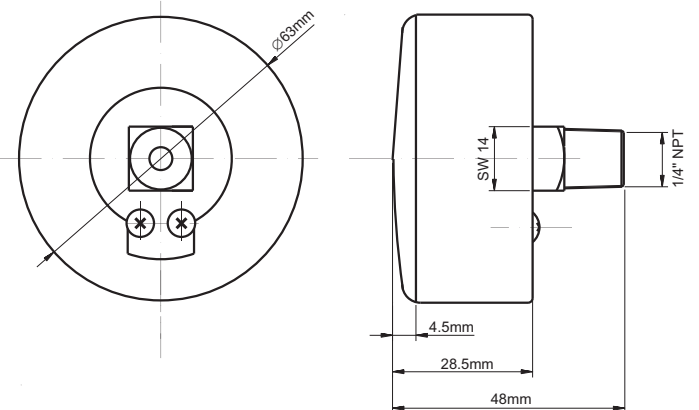
### 2" Back Connection



### 2.5" Bottom Connection



### 2.5" Back Connection



## Ordering Code PEP Series

Field No.	Code	Specifications						
1.	PEP	Series						
<b>Dial Size</b>								
2.	15	1.5" (40mm)						
	20	2.0" (50mm)						
	25	2.5" (63mm)						
<b>Case Materials</b>								
3.	U	Plastic						
<b>Wetted Parts</b>								
4.	B	Brass						
	Z	Special						
<b>Configuration</b>								
5.	A	Bottom connection, stem mounting						
	D	Back connection, stem mounting						
	Z	Special						
<b>Connection</b>								
6.	8	1/8"						
	4	1/4"						
	Z	Special						
<b>Thread</b>								
7.	N	NPT						
	B	BSP (G)						
	T	BSPT (R)						
	F	M14X1.5						
	Z	Special						
8.		<b>Range (XXXX)</b>						
<b>Standard Ranges</b>								
MPa	-0.1/0	-0.1/0.9	0/0.1	0/1	0/10			
	-0.1/0.06	-0.1/1.5	0/0.16	0/1.6	0/16			
	-0.1/0.15	-0.1/2.4	0/0.25	0/2.5	0/25			
	-0.1/0.3		0/0.4	0/4				
	-0.1/0.5		0/0.6	0/6				
bar	-1/0	-1/9			0/1	0/10	0/100	
	-1/0.6	-1/15			0/1.6	0/16	0/160	
	-1/1.5	-1/24			0/2.5	0/25	0/250	
	-1/3				0/4	0/40		
	-1/5				0/6	0/60		
psi	30"/0	30"/0/150	0/15	0/160	0/800	0/3000		
	30"/0/15	30"/0/300	0/30	0/200	0/1000			
	30"/0/30		0/60	0/300	0/1500			
	30"/0/60		0/100	0/600	0/2000			
	30"/0/100							
kg/cm <sup>2</sup>	-1/0	-1/9	0/1	0/10	0/100			
	-1/0.6	-1/15	0/1.6	0/16	0/160			
	-1/1.5	-1/24	0/2.5	0/25	0/250			
	-1/3		0/4	0/40	0/400			
	-1/5		0/6	0/60	0/600			
kPa	-100/0	-100/900			0/100	0/1000		
	-100/60	-100/1500			0/160	0/1600		
	-100/150	-100/2400			0/250	0/2500		
	-100/300				0/400	0/4000		
	-100/500				0/600	0/6000		