

Description & Features

- A general-purpose gauge that is serviceable and pulsation resistant.
General purpose panel mounted gauge
- 1.5"(40mm) to 3.5"(90mm) dial sizes
- Removable lens
- Zero-adjustment
- $\pm 2-1-2\%$ or $\pm 3-2-3\%$ accuracy

Applications

- Compressors, filters, regulators, water pumps, paint sprayers and a variety of other rapid pressure fluctuation application

Specifications

Dial Size

1.5"(40mm), 2"(50mm), 2.5"(63mm) and 3.5"(90mm)
white aluminum white aluminum with black and red markings

Pressure Range

Vacuum to 0...600 psi (0...40 bar)

Case Material

Steel painted black

Lens Material

Acrylic, threaded / Polycarbonate, threaded

Pointer

Aluminum, painted black

Bourdon Tube

Phosphor bronze

Movement

Brass

Socket Material

Brass

Connection

1/8", 1/4", in NPT, BSP, BSPT



Protection

IP 52

Working Pressure

Maximum 75% of full scale value

Over-pressure Limit

25% of full scale value

Ambient / Process Temperature

-40°F to 150°F (-40°C to 65°C)

Accuracy

$\pm 2-1-2\%$ ANSI/ASME Grade A or $\pm 3-2-3\%$ ANSI/ASME Grade B

Welding

<1000 psi: 60% tin 40% lead, ≥ 1000 psi: Silver alloy

Options

Acrylic lens
U-Clamp
Calibration Certificate

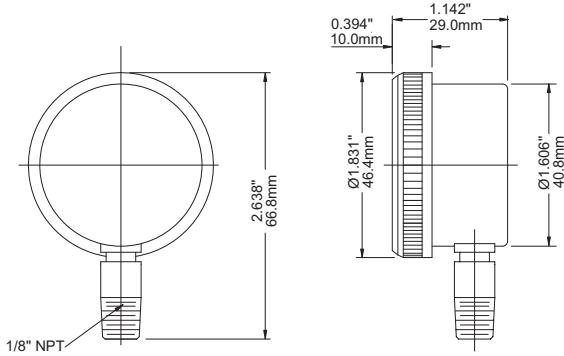
Order Information

Series/ Dial Size/ Case Materials/ Wetted Parts/ Configuration/ Connection Size/ Thread/ Range/ Option

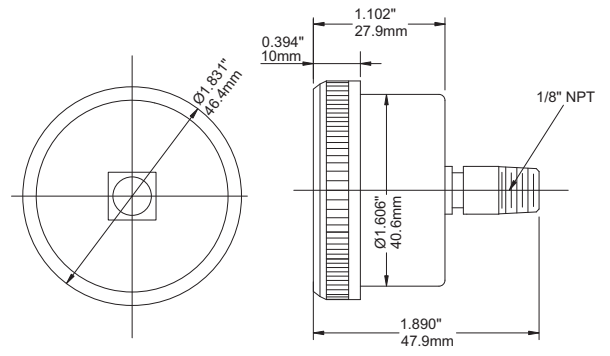
P9S 90 Series Gauge

Dimensions

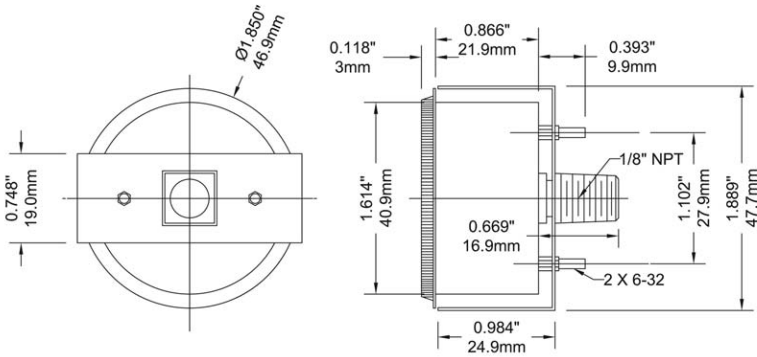
1.5" Bottom Connection



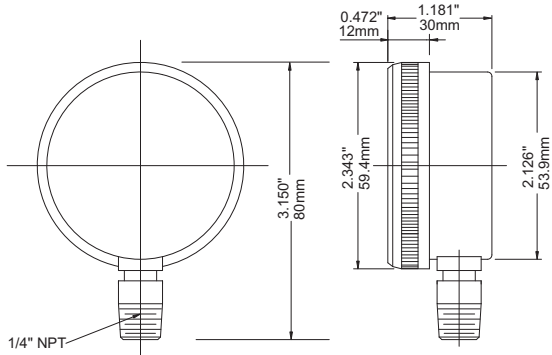
1.5" Back Connection



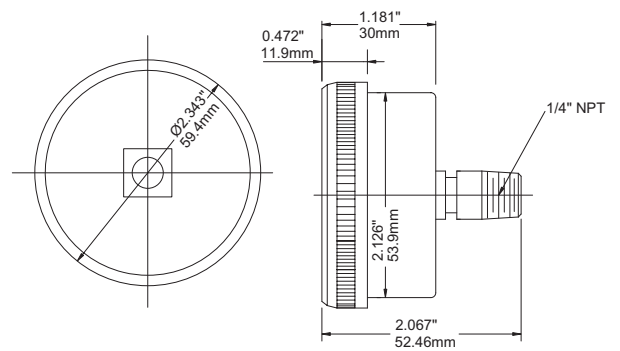
1.5" Back Connection, U-Clamp



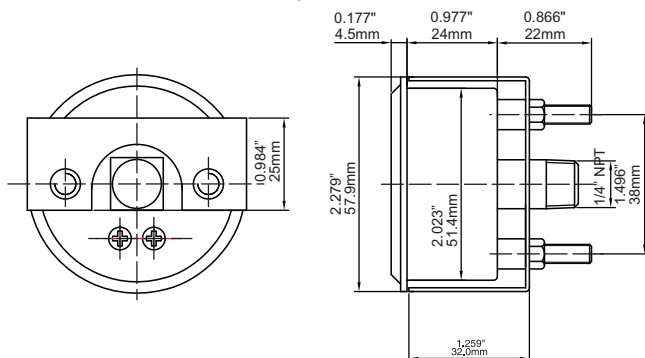
2" Bottom Connection



2" Back Connection

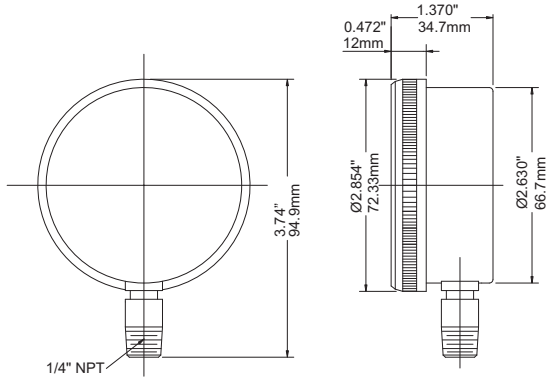


2" Back Connection, U-Clamp

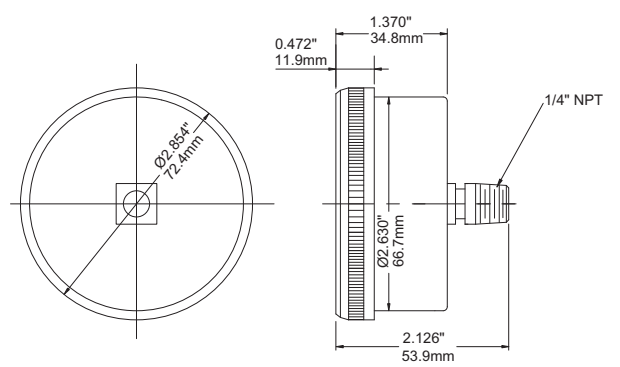


P9S 90 Series Gauge

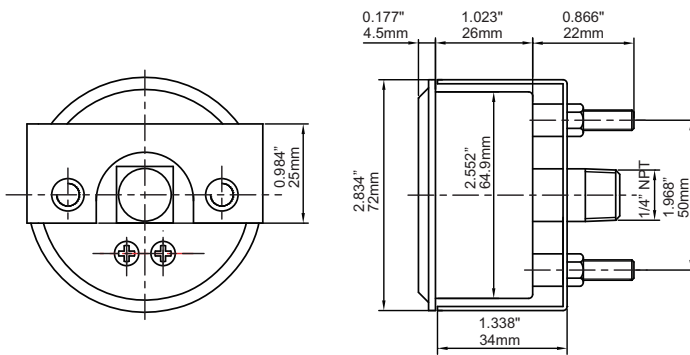
2.5" Bottom Connection



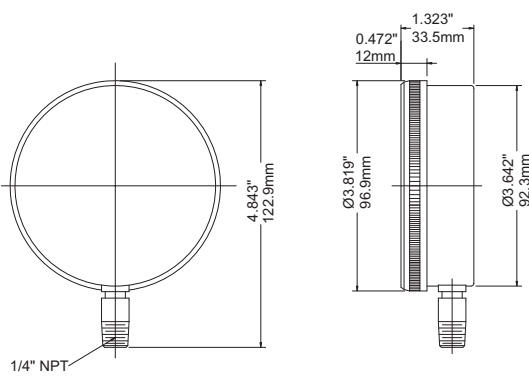
2.5" Back Connection



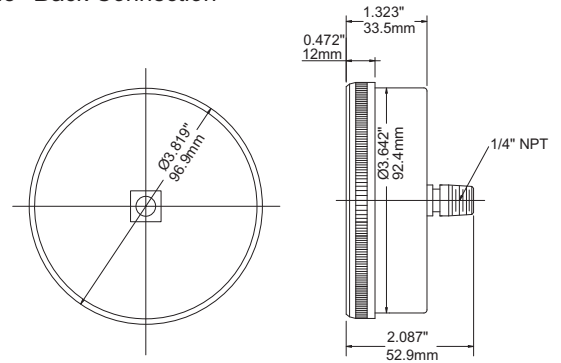
2.5" Back Connection, U-Clamp



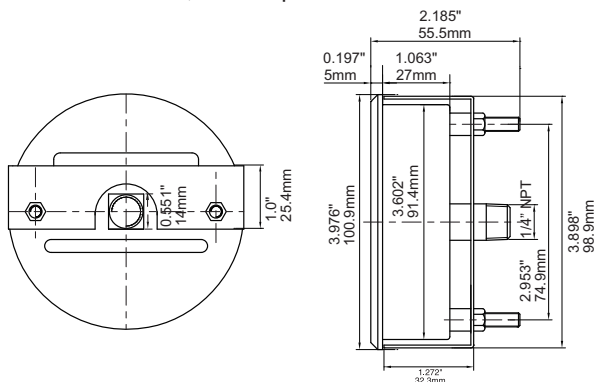
3.5" Bottom Connection



3.5" Back Connection



3.5" Back Connection, U-Clamp



Ordering Code P9S Series

Field No.	Code	Specifications						
1.	P9S	Series						
Dial Size								
2.	15	1.5" (40mm)						
	20	2.0" (50mm)						
	25	2.5" (63mm)						
	35	3.5" (90mm)						
Case Materials								
3.	Y	Steel painted black						
Wetted Parts								
4.	B	Brass						
	Z	Special						
Configuration								
5.	A	Bottom connection, stem mounting						
	D	Back connection, stem mounting						
	U	Back connection, U-clamp, panel mounting						
	Z	Special						
Connection								
6.	8	1/8"						
	4	1/4"						
	Z	Special						
Thread								
7.	N	NPT						
	B	BSP (G)						
	T	BSPT (R)						
	Z	Special						
8.		Range (XXXX)						
Standard Ranges								
MPa	-0.1/0	-0.1/0.9	0/0.1	0/1				
	-0.1/0.06	-0.1/1.5	0/0.16	0/1.6				
	-0.1/0.15	-0.1/2.4	0/0.25	0/2.5				
	-0.1/0.3		0/0.4	0/4				
bar	-0.1/0.5		0/0.6					
	-1/0	-1/9			0/1	0/10		
	-1/0.6	-1/15			0/1.6	0/16		
	-1/1.5	-1/24			0/2.5	0/25		
	-1/3				0/4	0/40		
psi	-1/5				0/6			
	30"/0		0/15	0/160				
	30"/0/15		0/30	0/200				
	30"/0/30		0/60	0/300				
	30"/0/60		0/100	0/400				
kg/cm ²	30"/0/100			0/600				
	-1/0	-1/9	0/1	0/10				
	-1/0.6	-1/15	0/1.6	0/16				
	-1/1.5	-1/24	0/2.5	0/25				
	-1/3		0/4	0/40				
kPa	-1/5		0/6					
	-100/0	-100/900			0/100	0/1000		
	-100/60	-100/1500			0/160	0/1600		
	-100/150	-100/2400			0/250	0/2500		
	-100/300				0/400	0/4000		
	-100/500			0/600				
Options								
9.	SV	Acrylic lens						
	SH	U-Clamp						
	SO	Calibration Certificate						