

## Description & Features

- High quality, commercial grade gauge at an economical price
- $\pm 2-1-2\%$  accuracy
- Adjustable pointer
- Steel and Aluminum Cases
- Brass wetted parts

## Applications

- Plumbing and heating

## Specifications

### Dial Size

3.5"(90mm), 4"(100mm), 4.5"(115mm)  
and 6"(150mm) white aluminum

### Pressure Range

From vacuum up to 0...5000 psi (0...350 bar)

### Case Material

3.5" (90mm), 4" (100mm) Steel painted black  
4.5" (115mm) Aluminum,  
6" (150mm) Bottom: Steel painted black  
6" (150mm) Back: Aluminum

### Lens Material

3.5" (90mm), 4.5" (115mm) bottom, 6" (150mm): Glass  
4" (100mm), 4.5" (115mm) back: Polycarbonate

### Ring Material

3.5"(90mm), 4"(100mm), 4.5"(115mm)bottom: Polished brass  
6"(150mm) bottom: Steel painted black  
4.5"(115mm) back, 6"(150mm) back: SS polished

### Pointer

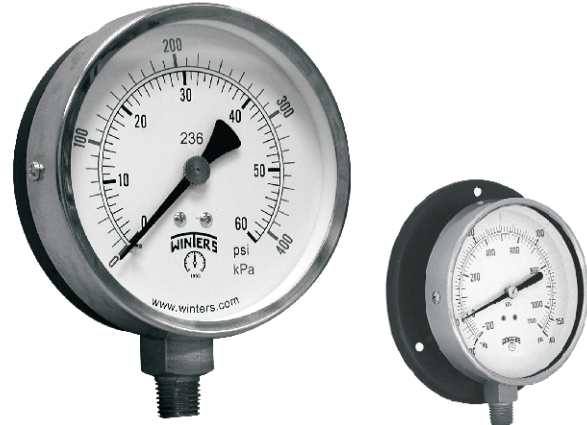
Black aluminum, adjustable

### Bourdon Tube

Phosphor Bronze

### Socket Material

Brass



### Connection

1/2", 1/4" in NPT, BSP, BSPT / M14X1.5, M20X1.5

### Protection

IP 52

### Working Pressure

Maximum 75% of full scale value

### Over-pressure Limit

25% of full scale value

### Ambient/Process Temperature

-40°F to 200°F (-40°C to 93°C)

### Accuracy

$\pm 2-1-2\%$  ANSI/ASME Grade A

### Welding

Silver alloy

### Option

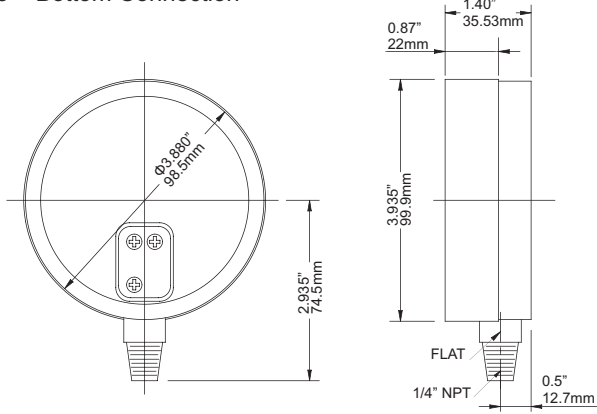
Acrylic lens  
Glass lens  
Calibration Certificate  
Material Certificate

## Order Information

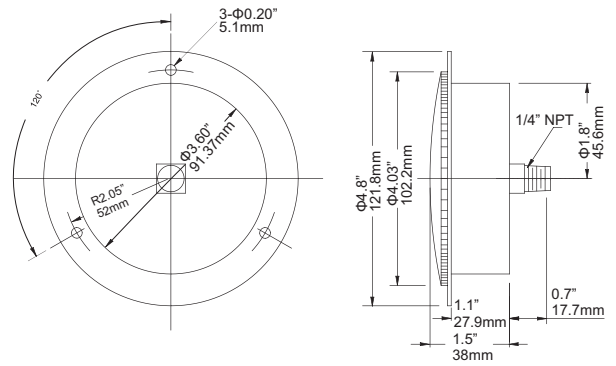
Series/ Dial Size/ Case Materials/ Wetted Parts/ Configuration/ Connection Size/ Thread/ Range/ Option

## Dimensions

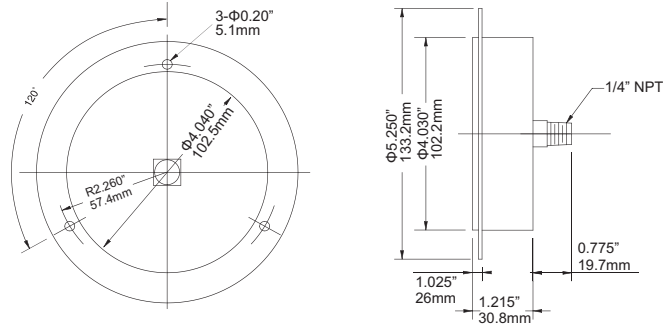
### 3.5" Bottom Connection



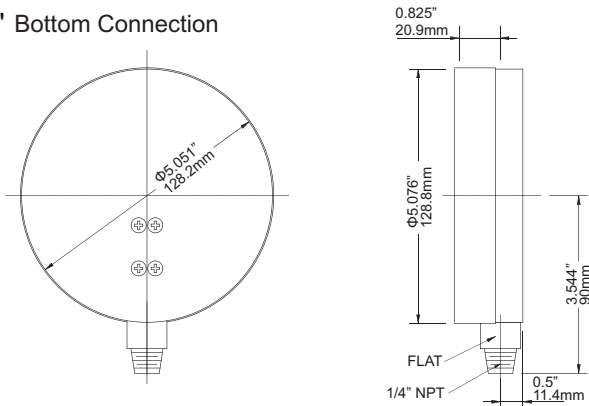
### 3.5" Back Connection with standard front flange



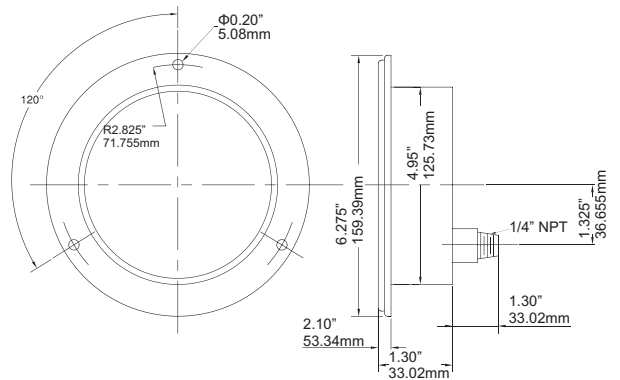
### 4" Center Back Connection with front flange



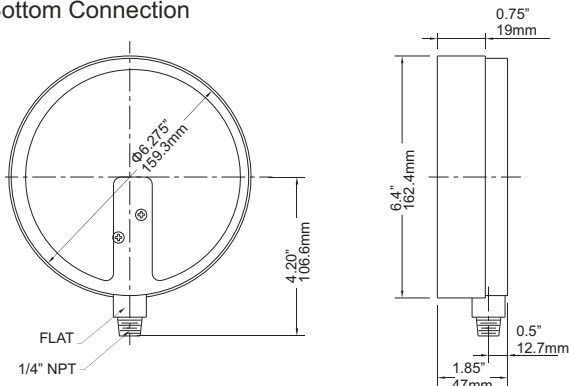
### 4.5" Bottom Connection



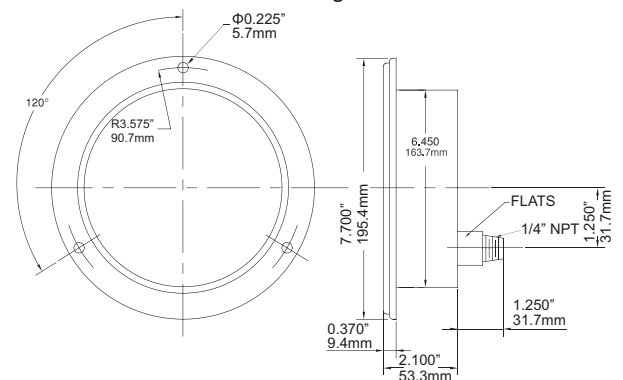
### 4.5" Lower Back Connection



### 6" Bottom Connection



### 6" Back Connection with front flange



### Ordering Code P1S Series

Field No.	Code	Specifications						
1.	P1S	Series						
<b>Dial Size</b>								
2.	35	3.5" (90mm)						
	40	4.0" (100mm)						
	45	4.5" (115mm)						
	60	6.0" (150mm)						
<b>Case Materials</b>								
3.	Y	Steel painted black						
	J	Aluminum						
<b>Ring</b>								
4.	B	3.5"(90mm), 4"(100mm), 4.5"(115mm)bottom: Polished brass						
	Y	6"(150mm) bottom: Steel painted black						
	S	4.5"(115mm), 6"(150mm) back: SS polished						
<b>Wetted Parts</b>								
5.	B	Brass						
	Z	Special						
<b>Configuration</b>								
6.	A	Bottom connection, stem mounting						
	B	Bottom connection, back flange, surface mounting						
	D	Back connection, stem mounting						
	F	Back connection, wide front flange, (drilled) panel mounting						
	Z	Special						
<b>Connection</b>								
7.	2	1/2"						
	4	1/4"						
	Z	Special						
<b>Thread</b>								
8.	N	NPT						
	B	BSP (G)						
	T	BSPT (R)						
	F	M14X1.5						
	M	M20X1.5						
	Z	Special						
9.		Range (XXXX)						
<b>Standard Ranges</b>								
MPa	-0.1/0	-0.1/0.9	0/0.1	0/1	0/10			
	-0.1/0.06	-0.1/1.5	0/0.16	0/1.6	0/16			
	-0.1/0.15	-0.1/2.4	0/0.25	0/2.5	0/25			
	-0.1/0.3		0/0.4	0/4	0/40			
	-0.1/0.5		0/0.6	0/6				
bar	-1/0	-1/9			0/1	0/10	0/100	
	-1/0.6	-1/15			0/1.6	0/16	0/160	
	-1/1.5	-1/24			0/2.5	0/25	0/250	
	-1/3				0/4	0/40	0/400	
	-1/5				0/6	0/60		
psi	30"/0	30"/0/160	0/15	0/160	0/1000			
	30"/0/15	30"/0/200	0/30	0/200	0/3000			
	30"/0/30	30"/0/300	0/60	0/300	0/5000			
	30"/0/60		0/100	0/600				
	30"/0/100							
kg/cm <sup>2</sup>	-1/0	-1/9	0/1	0/10	0/100			
	-1/0.6	-1/15	0/1.6	0/16	0/160			
	-1/1.5	-1/24	0/2.5	0/25	0/250			
	-1/3		0/4	0/40	0/400			
	-1/5		0/6	0/60				

Continued on the following page

Continued from the previous page

## Ordering Code P1S Series

Field No.	Code	Specifications																																													
		<table border="1"> <thead> <tr> <th colspan="2">Range (XXXX)</th> </tr> <tr> <th colspan="2">Standard Ranges</th> </tr> </thead> <tbody> <tr> <td rowspan="5">kPa</td> <td>-100/0</td> <td>-100/900</td> <td></td> <td></td> <td>0/100</td> <td>0/1000</td> <td></td> <td></td> </tr> <tr> <td>-100/60</td> <td>-100/1500</td> <td></td> <td></td> <td>0/160</td> <td>0/1600</td> <td></td> <td></td> </tr> <tr> <td>-100/150</td> <td>-100/2400</td> <td></td> <td></td> <td>0/250</td> <td>0/2500</td> <td></td> <td></td> </tr> <tr> <td>-100/300</td> <td></td> <td></td> <td></td> <td>0/400</td> <td>0/4000</td> <td></td> <td></td> </tr> <tr> <td>-100/500</td> <td></td> <td></td> <td></td> <td>0/600</td> <td>0/6000</td> <td></td> <td></td> </tr> </tbody> </table>	Range (XXXX)		Standard Ranges		kPa	-100/0	-100/900			0/100	0/1000			-100/60	-100/1500			0/160	0/1600			-100/150	-100/2400			0/250	0/2500			-100/300				0/400	0/4000			-100/500				0/600	0/6000		
Range (XXXX)																																															
Standard Ranges																																															
kPa	-100/0	-100/900			0/100	0/1000																																									
	-100/60	-100/1500			0/160	0/1600																																									
	-100/150	-100/2400			0/250	0/2500																																									
	-100/300				0/400	0/4000																																									
	-100/500				0/600	0/6000																																									
9.		<table border="1"> <thead> <tr> <th colspan="2">Options</th> </tr> </thead> <tbody> <tr> <td>SV</td> <td>Acrylic lens</td> </tr> <tr> <td>SF</td> <td>Glass lens</td> </tr> <tr> <td>SO</td> <td>Calibration Certificate</td> </tr> <tr> <td>GH</td> <td>Material Certificate</td> </tr> </tbody> </table>	Options		SV	Acrylic lens	SF	Glass lens	SO	Calibration Certificate	GH	Material Certificate																																			
Options																																															
SV	Acrylic lens																																														
SF	Glass lens																																														
SO	Calibration Certificate																																														
GH	Material Certificate																																														