

PBC Forged Brass Case Gauge

Description & Features

- One piece forged brass case designed for severe service conditions
- Easy-to-read single and dual scale psi dial

Applications

- Industrial and hydraulic systems



Specifications

Dial Size

2.5"(63mm) & 4"(100mm)

Pressure Range

From Vacuum up to 0...10000 psi (0...690 bar)

Case Material

Forged brass, rugged

2.5": Liquid filled case standard, 4": dry case standard

Lens Material

Polycarbonate

Ring Material

2.5" (63mm): Gold-coloured ABS; 4" (100mm): Polished Brass

Pointer

Aluminum black adjustable

Socket Material

Brass

Connection

1/4", 1/2" in NPT, BSP, BSPT / M20X1.5

Wetted Parts

Brass

Protection

IP 65

Ambient Temperature

-40°F to 150°F (-40°C to 65°C)

Accuracy

±1.6% ANSI / ASME Grade B: 2.5" (63mm)

±1.0% ANSI/ASME Grade A: 4"(100mm)

Options

Glycerin filled

Silicone filled

Calibration Certificate

Material Certificate

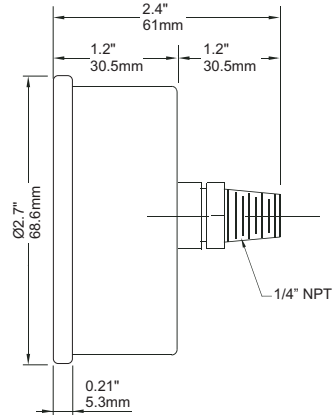
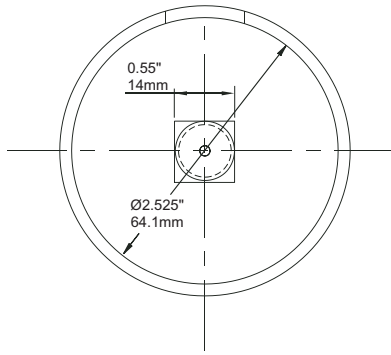
Order Information

Series/ Dial Size/ Case Materials/ Wetted Parts/ Configuration/ Connection Size/ Thread/ Range/ Option

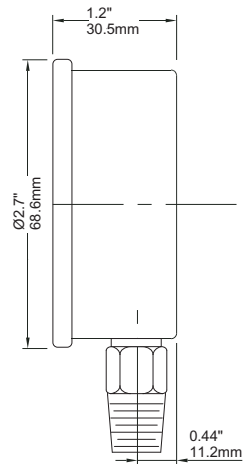
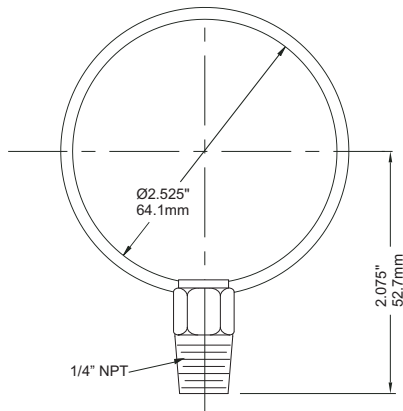
PBC Forged Brass Case Gauge

Dimensions

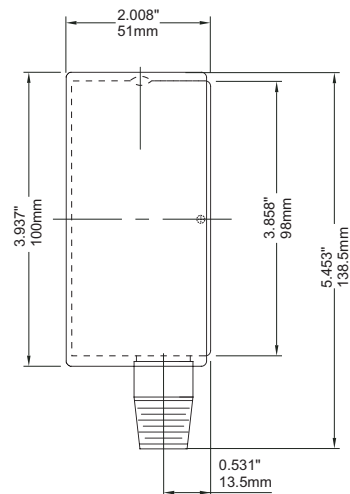
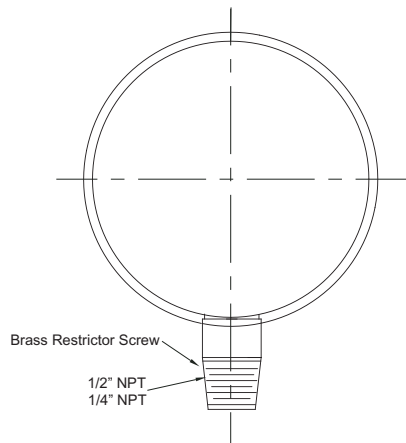
2.5" Back Connection



2.5" Bottom Connection



4" Bottom Connection



PBC Forged Brass Case Gauge

Ordering Code PBC Series

Field No.	Code	Specifications						
1.	PBC	Series						
Dial Size								
2.	25	2.5" (63mm) (Liquid filled case standard)						
	40	4.0" (100mm) (Dry case standard)						
Case Materials								
3.	B	Forged brass						
Wetted Parts								
4.	B	Brass						
Configuration								
5.	A	Bottom connection, stem mounting						
	D	Back connection, stem mounting (only for dial size 2.5")						
	Z	Special						
Connection								
6.	4	1/4"						
	2	1/2"						
Thread								
7.	N	NPT						
	B	BSP (G)						
	T	BSPT (R)						
	F	M14X1.5						
	M	M20X1.5						
	Z	Special						
8.		Range (XXXX)						
Standard Ranges								
MPa	-0.1/0	-0.1/0.9	0/0.1	0/1	0/10			
	-0.1/0.06	-0.1/1.5	0/0.16	0/1.6	0/16			
	-0.1/0.15	-0.1/2.4	0/0.25	0/2.5	0/25			
	-0.1/0.3		0/0.4	0/4	0/40			
	-0.1/0.5		0/0.6	0/6	0/60			
bar	-1/0	-1/9			0/1	0/10	0/100	
	-1/0.6	-1/15			0/1.6	0/16	0/160	
	-1/1.5	-1/24			0/2.5	0/25	0/250	
	-1/3				0/4	0/40	0/400	
	-1/5				0/6	0/60	0/600	
psi	30"/0	30"/0/150	0/15	0/160	0/800	0/3000	0/10000	
	30"/0/15	30"/0/300	0/30	0/200	0/1000	0/4000		
	30"/0/30		0/60	0/300	0/1500	0/5000		
	30"/0/60		0/100	0/600	0/2000	0/6000		
	30"/0/100							
kg/cm ²	-1/0	-1/9	0/1	0/10	0/100			
	-1/0.6	-1/15	0/1.6	0/16	0/160			
	-1/1.5	-1/24	0/2.5	0/25	0/250			
	-1/3		0/4	0/40	0/400			
	-1/5		0/6	0/60	0/600			
kPa	-100/0	-100/900			0/100	0/1000		
	-100/60	-100/1500			0/160	0/1600		
	-100/150	-100/2400			0/250	0/2500		
	-100/300				0/400	0/4000		
	-100/500				0/600	0/6000		
Options								
9.	SD	Silicone filled						
	SE	Glycerin filled						
	SO	Calibration Certificate						
	GH	Material Certificate						